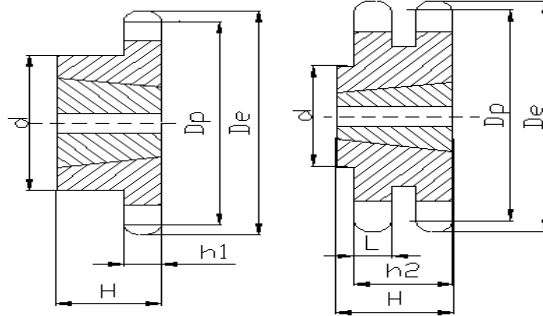


**TAPER BORED SPROCKETS FOR CHAIN 35-1/2(3/8" Pitch)**  
**SPROCKETS TYPE B**

Chain: Pitch: 9.525mm  
 Internal width: 4.77mm  
 Roller dia.: 5.08mm

Sprocket: Tooth radius r:  
 Radius width C:  
 Tooth width h1:  
 Tooth width L:  
 Tooth width h2:  
 Tooth width h3:  
 Full high H: -



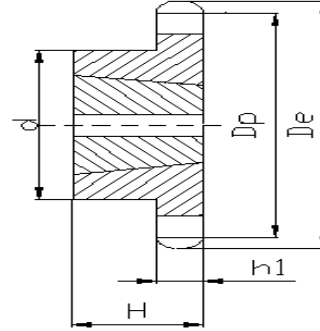
Teeth	De	Dp	Simplex			Type	Duplex			Type
			d	H	Bush		d	H	Bush	
18	2.352	2.159	1 7/8★	7/8	1008	B				
19	2.472	2.278	1 13/16	7/8	1008	B	1 53/64	7/8	1008	B
20	2.593	2.397	1 15/16	7/8	1008	B	1 15/16	7/8	1008	B
21	2.713	2.516	2 1/16	7/8	1008	B	2 1/16	7/8	1008	B
22	2.883	2.635	2 3/8★	1	1210	B	2 3/16	7/8	1008	B
23	2.954	2.754	2 7/16	1	1210	B				
24	3.074	2.873	2 7/16	1	1210	B	2 7/16	1	1210	B
25	3.194	2.992	2 7/16	1	1210	B				
26	3.314	3.111	2 7/8★	1	1610	B	2 5/8	1	1210	B
28	3.553	3.349	2 7/8	1	1610	B				
30	3.793	3.588	3 1/8	1	1610	B	3 1/8	1	1610	B
32	4.032	3.826	3 1/4	1	1610	B	3 1/4	1	1610	B
35	4.392	4.183	3 1/4	1	1610	B	3 1/4	1	1610	B
36	4.511	4.303	3 1/4	1	1610	B				
40	4.99	4.786	3 1/4	1	1610	B	3 1/4	1	1610	B
42	5.229	5.018	3 1/4	1	1610	B				
45	5.588	5.376	3 1/4	1	1610	B	3 1/4	1	1610	B
48	5.946	5.734	3 1/4	1	1610	B	3 5/8	1	1610	B
54	6.663	6.449	3 1/4	1	1610	B	3 5/8	1	1610	B
60	7.38	7.165	3 1/4	1	1610	B	3 5/8	1	1610	B
70	8.575	8.358	3 1/4	1	1610	B	3 5/8	1	1610	B
72	8.814	8.597	3 1/4	1	1610	B				
80	9.77	9.552	3 1/4	1	1610	B	3 5/8	1	1610	B
84	10.247	10.029	3 1/4	1	1610	B				
96	11.68	11.461	3 1/4	1	1610	B	3 5/8	1	1610	B
112	13.59	13.371	3 1/4	1	1610	B	3 5/8	1	1610	B



**TAPER BORED SPROCKETS FOR CHAIN 41-1(1/2" Pitch)  
SPROCKETS TYPE B**

Chain: Pitch:  
Internal width:  
Roller dia.:

Sprocket: Tooth radius r:  
Radius width C:  
Tooth width h1:  
Tooth width L:  
Tooth width h2:  
Tooth width h3:  
Full high H: -



Teeth	De	Dp	Simplex			Type
			d	H	Bush	
14	2.49	2.249	1 7/8★	7/8	1008	B
15	2.65	2.405	1 7/8	7/8	1008	B
16	2.81	2.503	3	7/8	1008	B
17	2.98	2.721	2 3/8★	1	1210	B
18	3.14	2.879	2 3/8	1	1210	B
19	3.3	3.038	2 1/2	1	1210	B
20	3.46	3.196	2 7/8★	1	1610	B
21	3.62	3.355	3★	1	1610	B
22	3.78	3.573	3	1	1610	B
23	3.94	3.672	3	1	1610	B
24	4.1	3.831	3 1/4	1	1610	B
25	4.26	3.989	3 1/4	1	1610	B
26	4.42	4.148	3 1/4	1	1610	B
28	4.58	4.466	3 1/4	1	1610	B
30	5.06	4.783	3 1/4	1	1610	B
32	5.38	5.101	3 1/4	1	1610	B
35	5.86	5.578	3 1/4	1	1610	B
36	6.02	5.737	3 1/4	1	1610	B
40	6.65	6.373	3 1/4	1	1610	B
45	7.45	7.168	3 1/4	1	1610	B
48	7.93	7.645	3 1/4	1	1610	B
54	8.89	8.599	3 1/4	1	1610	B
60	9.84	9.554	3 1/4	1	1610	B
70	11.43	11.145	3 1/4	1	1610	B
72	11.75	11.463	3 1/4	1	1610	B
80	13.03	12.736	3 1/4	1	1610	B

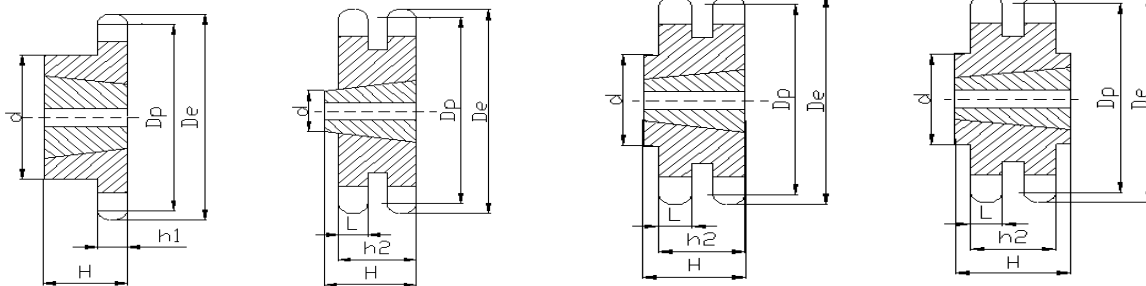


**TAPER BORED SPROCKETS 40-1/-2(1/2" Pitch)  
SPROCKETS TYPE A ,TYPE B & TYPE C**

Chain: Pitch: 12.7mm  
Internal width: 7.85mm  
Roller dia.: 7.92mm

Sprocket: Tooth radius r:  
Radius width C:  
Tooth width h1:  
Tooth width L:  
Tooth width h2:  
Tooth width h3:  
Full high H: -

Note:△with hardened teeth,Simplex with 30 teeth or less,duplex with 25 teeth or less



Teeth	De	Dp	Simplex			Type	Duplex			Type
			d	H	Bush		d	H	Bush	
△14	2.491	2.247	★1 13/16	7/8	1008	B				
△15	2.652	2.405	1 13/16	7/8	1008	B	1 17/64	7/8	1008	A
△16	2.814	2.563	1 15/16	7/8	1008	B	1 17/64	7/8	1008	A
△17	2.975	2.721	★2 3/8	1	1210	B	1 17/64	7/8	1008	A
△18	3.135	2.879	★2 15/32	1	1210	B	2 5/16	1	1210	B
△19	3.296	3.038	2 15/32	1	1210	B	2 1/2	1	1210	B
△20	3.457	3.196	★2 25/32	1	1610	B	2 5/8	1	1610	B
△21	3.617	3.355	2 25/32	1	1610	B	2 3/4	1	1610	B
△22	3.778	3.513	2 25/32	1	1610	B				
△23	3.938	3.672	3	1	1610	B	3	1	1610	B
△24	4.098	3.831	3 1/4	1	1610	B				
△25	4.258	3.989	3 1/4	1	1610	B	3 13/32	1 1/4	2012	B
△26	4.418	4.148	3 1/4	1	1610	B				
△28	4.738	4.466	3	1	1610	B				
△30	5.057	4.783	3	1	1610	B	4 15/64	1 1/4	2012	B
32	5.377	5.101	3	1	1610	B				
35	5.855	5.578	3	1	1610	B				
36	6.015	5.737	3	1	1610	B	5 5/32	1 1/4	2012	B
40	6.653	6.373	3	1	1610	B				
42	6.972	6.691	3	1	1610	B	4 1/4	1 3/4	2517	C
45	7.451	7.168	3	1	1610	B				
48	7.928	7.645	3	1	1610	B	4 1/4	1 3/4	2517	C
52	8.566	8.281					4 1/4	1 3/4	2517	C
54	8.885	8.599	3	1	1610	B				
60	9.841	9.554	3	1	1610	B	4 1/4	1 3/4	2517	C
68	11.115	10.826					4 1/4	1 3/4	2517	C
70	11.434	11.145	3 9/16	1 1/4	2012	B				
72	11.752	11.463	3 9/16	1 1/4	2012	B				
76	12.389	12.099					4 1/4	1 3/4	2517	C
80	13.026	12.736	3 9/16	1 1/4	2012	B				
84	13.663	13.372	3 9/16	1 1/4	2012	B	4 1/4	1 3/4	2517	C
95	15.414	15.122					4 1/4	1 3/4	2517	C
96	15.573	15.282	3 9/16	1 1/4	2012	B				
102	16.529	16.236					4 1/4	1 3/4	2517	C
112	18.122	17.828	4 1/4	1 3/4	2517	B				

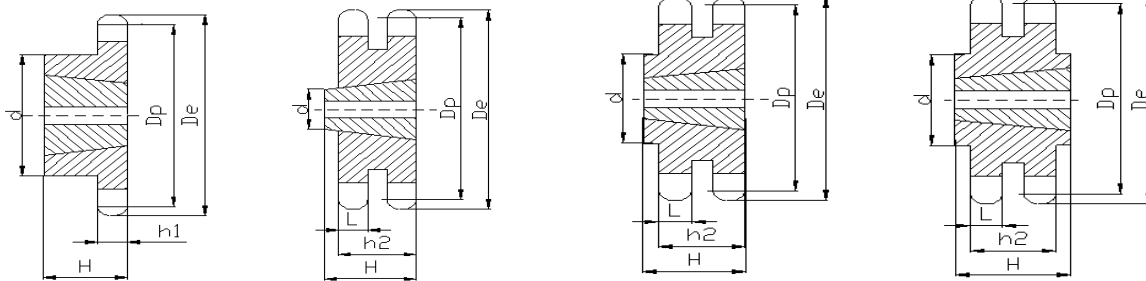


**TAPER BORED SPROCKETS FOR CHAIN 50-1/-2(5/8" Pitch)  
SPROCKETS TYPE A ,TYPE B & TYPE C**

Chain: Pitch: 15.875mm  
Internal width: 9.4mm  
Roller dia.: 10.16mm

Sprocket: Tooth radius r:  
Radius width C:  
Tooth width h1:  
Tooth width L:  
Tooth width h2:  
Tooth width h3:  
Full high H: -

Note:△with hardened teeth,Simplex with 30 teeth or less,duplext with 25 teeth or less



Teeth	De	Dp	Simplex			Type	Duplex			Type
			d	H	Bush		d	H	Bush	
△12	2.708	2.415	1 15/16★	7/8	1008	B				
△13	2.911	2.612	1 13/16	7/8	1008	B				
△14	3.113	2.809	1 15/16	7/8	1008	B		7/8	1008	A
△15	3.315	3.006	2 15/32★	1	1210	B		1	1210	A
△16	3.517	3.204	2 25/32★	1	1610	B		1	1210	A
△17	3.719	3.401	2 25/32★	1	1610	B		1	1610	A
△18	3.92	3.599	2 25/32	1	1610	B		1	1610	A
△19	4.12	3.797	3	1	1610	B		1	1610	A
△20	4.321	3.995	3 1/4	1	1610	B	3 1/4	1 1/4	2012	B
△21	4.522	4.193	3	1	1610	B	3 1/2	1 1/4	2012	B
△22	4.722	4.392	3	1	1610	B				
△23	4.922	4.59	3 9/16	1 1/4	2012	B				
△24	5.122	4.788	3 9/16	1 1/4	2012	B				
△25	5.322	4.987	3 9/16	1 1/4	2012	B	4 9/32	1 1/4	2012	B
△26	5.522	5.185	3 9/16	1 1/4	2012	B				
△27	5.723	5.384	3 9/16	1 1/4	2012	B				
△28	5.922	5.582	3 9/16	1 1/4	2012	B				
△30	6.321	5.979	3 9/16	1 1/4	2012	B	5 9/32	1 3/4	2517	B
32	6.721	6.376	3 9/16	1 1/4	2012	B				
35	7.319	6.972	3 9/16	1 1/4	2012	B				
36	7.519	7.171	3 9/16	1 1/4	2012	B	4 1/4	1 3/4	2517	C
40	8.316	7.966	3 9/16	1 1/4	2012	B				
42	8.715	8.363	3 9/16	1 1/4	2012	B	4 1/4	1 3/4	2517	C
45	9.313	8.96	3 9/16	1 1/4	2012	B				
48	9.911	9.556	3 9/16	1 1/4	2012	B	4 1/4	1 3/4	2517	C
52	10.707	10.351				B		1 3/4	2517	C
54	11.106	10.749	3 9/16	1 1/4	2012	B				
60	12.301	11.942	3 9/16	1 1/4	2012	B	4 3/8	1 3/4	2517	C
68						B	4 3/8	1 3/4	2517	C
70	14.292	13.931	3 1/4	1 3/4	2517	B				
72	14.69	14.329	3 1/4	1 3/4	2517	B				
76	15.486	15.124				B	4 3/8	1 3/4	2517	C
80	16.282	15.92	3 1/4	1 3/4	2517	B				
84	17.079	16.715	3 1/4	1 3/4	2517	B	4 3/8	1 3/4	2517	C
95	19.267	18.903				B	4 3/8	1 3/4	2517	C
96	19.466	19.102	3 1/4	1 3/4	2517	B				
102	20.661	20.295				B	4 3/8	1 3/4	2517	C
112	22.651	22.285	3 1/4	1 3/4	2517	B				

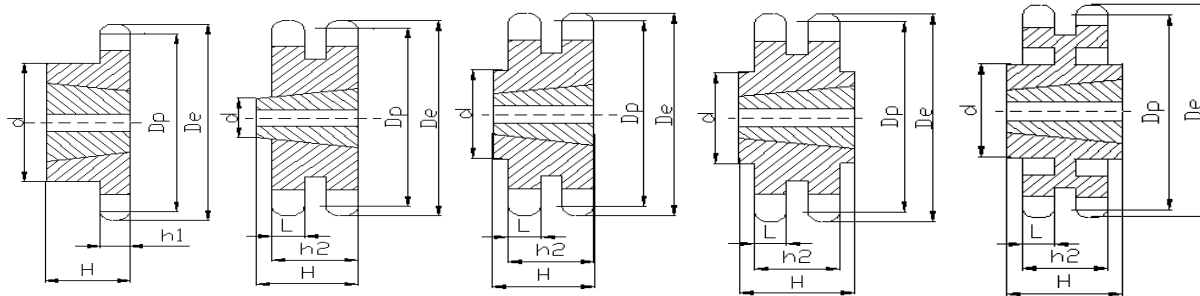


**TAPER BORED SPROCKETS FOR CHAIN 60-1/-2(3/4" Pitch)  
SPROCKETS TYPE A ,TYPE B, TYPE C&TYPE C1**

Chain: Pitch: 19.05mm  
Internal width: 12.57mm  
Roller dia.: 11.91mm

Sprocket: Tooth radius r:  
Radius width C:  
Tooth width h1:  
Tooth width L:  
Tooth width h2:  
Tooth width h3:  
Full high H: -

Note:△with hardened teeth,Simplex with 30 teeth or less,duplex with 25 teeth or less



Teeth	De	Dp	Simplex			Type	Duplex			Type
			d	H	Bush		d	H	Bush	
△11	3.004	2.662	1 13/16	7/8	1008	B				
△12	3.249	2.898	1 15/16	7/8	1008	B				
△13	3.493	3.134	1 15/32★	1	1210	B	2 1/4	1 1/2	1215	B
△14	3.736	3.371	1 15/32	1	1210	B	2 1/2	1 1/2	1215	B
△15	3.979	3.607	2 25/32	1	1610	B	2 13/16	1 1/2	1615	B
△16	4.221	3.844	3	1	1610	B	3	1 1/2	1615	B
△17	4.462	4.082	3 1/4	1	1610	B	3 1/4	1 1/2	1615	B
△18	4.704	4.319	3 1/4	1	1610	B		1 1/4	2012	A
△19	4.945	4.557	3 1/4	1	1610	B		1 1/4	2012	A
△20	5.185	4.794	3 9/16	1 1/4	2012	B	3 61/64	1 3/4	2517	B
△21	5.426	5.032	3 9/16	1 1/4	2012	B	4 3/16	1 3/4	2517	B
△22	5.666	5.27	3 9/16	1 1/4	2012	B				
△23	5.907	5.508	3 9/16	1 1/4	2012	B				
△24	6.147	5.746	3 9/16	1 1/4	2012	B				
△25	6.387	5.984	3 9/16	1 1/4	2012	B	5 5/32	1 3/4	2517	B
△26	6.627	6.222	3 9/16	1 1/4	2012	B				
△27	6.867	6.416	3 9/16	1 1/4	2012	B				
△28	7.107	6.699	3 9/16	1 1/4	2012	B				
△30	7.586	7.175	3 9/16	1 1/4	2012	B	6 11/32	1 3/4	2517	B
32	8.065	7.652	3 9/16	1 1/4	2012	B				
35	8.783	8.367	3 9/16	1 1/4	2012	B				
36	9.022	8.605	3 9/16	1 1/4	2012	B	4 1/4	1 3/4	2517	C
40	9.98	9.559	3 9/16	1 1/4	2012	B				
42	10.458	10.036	3 9/16	1 1/4	2012	B	4 1/4	1 3/4	2517	C
45	11.175	10.752	3 9/16	1 1/4	2012	B	4 1/4	1 3/4	2517	C
48	11.893	11.467	3 9/16	1 1/4	2012	B				
52	12.849	12.422					4 1/4	1 3/4	2517	C
54	13.327	12.899	4 1/4	1 3/4	2517	B				
60	14.761	14.33	4 1/4	1 3/4	2517	B	4 1/4	1 3/4	2517	C1
68	16.672	16.24					4 1/2	1 3/4	2517	C1
70	17.15	16.717	4 1/4	1 3/4	2517	B				
72	17.628	17.194	4 1/4	1 3/4	2517	B				
76	18.583	18.149					5 1/4	2	3020	C1
80	19.539	19.103	4 1/4	1 3/4	2517	B				
84	20.494	20.058	4 1/4	1 3/4	2517	B				
95	23.121	22.684					5 1/4	2	3020	C1

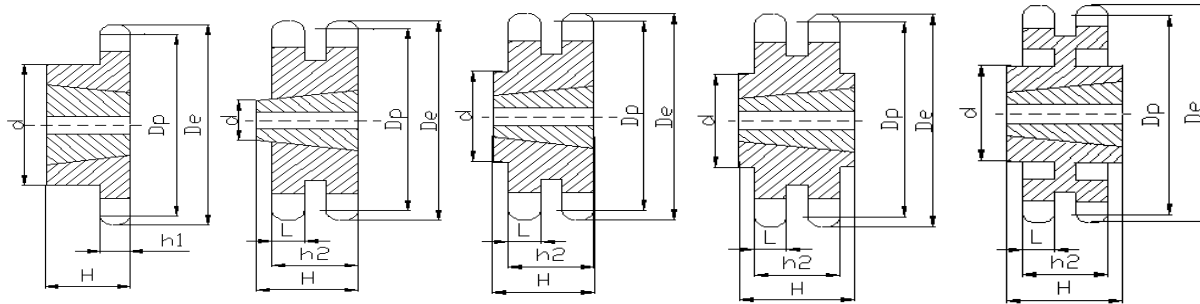


**TAPER BORED SPROCKETS FOR CHAIN 80-1/-2(1" Pitch)  
SPROCKETS TYPE A ,TYPE B, TYPE C&TYPE C1**

Chain: Pitch: 25.4mm  
Internal width: 15.75mm  
Roller dia.: 15.88mm

Sprocket: Tooth radius r:  
Radius width C:  
Tooth width h1:  
Tooth width L:  
Tooth width h2:  
Tooth width h3:  
Full high H: -

Note:△with hardened teeth,Simplex with 30 teeth or less



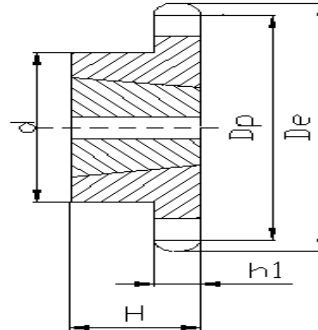
Teeth	De	Dp	Simplex			Type	Duplex			Type
			d	H	Bush		d	H	Bush	
△10	3.678	3.236	2 3/8★	1 1/2	1215	B				
△11	4.006	3.549	2 15/32★	1 1/2	1215	B				
△12	4.332	3.864	3★	1 1/2	1615	B				
△13	4.657	4.179	3	1 1/2	1615	B		1 1/2	1615	A
△14	4.982	4.494	3 1/4	1 1/2	1615	B		1 1/4	2012	A
△15	5.305	4.81	3 1/4	1 1/2	1615	B		1 1/4	2012	A
△16	5.627	5.126	3 9/16	1 1/4	2012	B	3 1/8	1 3/4	2517	A
△17	5.95	5.442	3 9/16	1 1/4	2012	B	3 1/8	1 3/4	2517	A
△18	6.271	5.759	3 9/16	1 1/4	2012	B	3 1/8	1 3/4	2517	A
△19	6.593	6.076	3 9/16	1 1/4	2012	B	5	2	3020	B
△20	6.914	6.392	4 1/4	1 3/4	2517	B	5 1/4	2	3020	B
△21	7.235	6.71	4 1/4	1 3/4	2517	B	5 9/16	2	3020	B
△22	7.555	7.027	4 1/4	1 3/4	2517	B				
△23	7.875	7.344	4 1/4	1 3/4	2517	B				
△24	8.196	7.661	4 1/4	1 3/4	2517	B				
△25	8.516	7.979	4 1/4	1 3/4	2517	B	6 7/8	2	3020	B
△26	8.836	8.296	4 1/4	1 3/4	2517	B				
△27	9.156	8.614	4 1/4	1 3/4	2517	B				
△28	9.475	8.931	4 1/4	1 3/4	2517	B				
△30	10.114	9.567	4 1/4	1 3/4	2517	B	5 1/4	2	3020	C
32	10.753	10.202	4 1/4	1 3/4	2517	B				
35	11.711	11.156	4 1/4	1 3/4	2517	B				
36	12.03	11.474	4 1/4	1 3/4	2517	B	5 1/4	2	3020	C
40	13.306	12.746	4 1/4	1 3/4	2517	B				
42	13.944	13.392				B	5 1/4	2	3020	C
45	14.901	14.336	4 1/4	1 3/4	2517	B	5 1/4	2	3020	C
48	15.857	15.29	4 1/4	1 3/4	2517	B				
52	17.132	16.562				B	5 1/4	2	3020	C
54	17.769	17.198	4 1/4	1 3/4	2517	B				
60	19.681	19.107	4 1/4	1 3/4	2517	B	5 1/4	2	3020	C
68	22.23	21.653				B	5 1/4	2	3020	C
70	22.867	22.289	4 1/4	2	3020	B				
76	24.778	24.198				B	5 1/4	2	3020	C
80	26.052	25.471	5 1/4	2	3020	B				
95	30.828	30.245				B	5 1/4	2	3020	C



**TAPER BORED SPROCKETS FOR CHAIN 100-1(1 1/4" Pitch)  
SPROCKETS TYPE B**

Chain: Pitch: 31.75mm  
Internal width: 18.9mm  
Roller dia.: 19.05mm

Sprocket: Tooth radius r:  
Radius width C:  
Tooth width h1: 5,3mm  
Tooth width L:  
Tooth width h2:  
Tooth width h3:  
Full high H: -



Note:△with hardened teeth,Simplex with 30 teeth or less

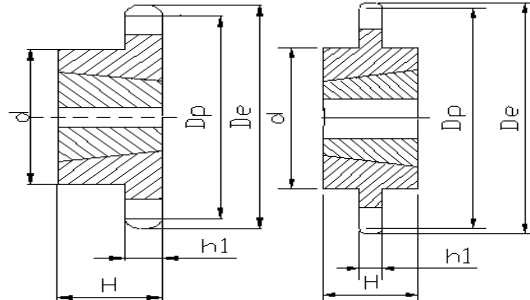
Teeth	De	Dp	Simplex			Type
			d	H	Bush	
△11	5.007	4.437	3	1 1/2	1615	B
△12	5.415	4.83	3 1/4	1 1/2	1615	B
△13	5.821	5.223	3 9/16	1 1/4	2012	B
△14	6.227	5.617	3 9/16	1 1/4	2012	B
△15	6.631	6.012	4 1/4	1 3/4	2517	B
△16	7.034	6.407	4 1/2	1 3/4	2517	B
△17	7.437	6.803	4 1/2	1 3/4	2517	B
△18	7.839	7.198	4 1/2	1 3/4	2517	B
△19	8.241	7.594	4 1/2	1 3/4	2517	B
△20	8.642	7.991	4 1/2	1 3/4	2517	B
△21	9.043	8.387	4 1/2	1 3/4	2517	B
△22	9.444	8.783	4 1/2	1 3/4	2517	B
△24	10.245	9.577	4 1/2	1 3/4	2517	B
△26	11.045	10.37	4 1/2	1 3/4	2517	B
△28	11.844	11.164	5 1/4	2	3020	B
△30	12.643	11.958	5 1/4	2	3020	B
32	13.442	12.753	5 1/4	2	3020	B
35	14.639	13.945	5 1/4	2	3020	B
36	15.038	14.342	5 1/4	2	3020	B
40	16.633	15.932	5 1/4	2	3020	B
45	18.626	17.919	5 1/4	2	3020	B
48	19.821	19.112	5 1/4	2	3020	B
54	22.212	21.498	5 1/4	2	3020	B
60	24.601	23.884	5 1/4	2	3020	B



**TAPER BORED SPROCKETS FOR CHAIN 120-1(1 1/2" Pitch)  
SPROCKETS TYPE B & TYPE C**

Chain: Pitch: 38.1mm  
Internal width: 25.22mm  
Roller dia.: 22.23mm

Sprocket: Tooth radius r:  
Radius width C:  
Tooth width h1:  
Tooth width L:  
Tooth width h2:  
Tooth width h3:  
Full high H: -



Note: △ with hardened teeth, Simplex with 30 teeth or less

Teeth	De	Dp	Simplex			Type
			d	H	Bush	
△12	6.498	5.796	3 9/16	1 1/4	2012	B
△13	6.896	6.268	4 1/4	1 3/4	2517	B
△14	7.472	6.741	4 1/4	1 3/4	2517	B
△15	7.957	7.215	4 1/4	1 3/4	2517	B
△16	8.441	7.689	5 1/4	2	3020	B
△17	8.924	8.163	5 1/4	2	3020	B
△18	9.407	8.638	5 1/4	2	3020	B
△19	9.889	9.113	5 1/4	2	3020	B
△20	10.371	9.588	5 1/4	2	3020	B
△21	10.851	10.064	5 1/4	2	3020	B
△24	12.294	11.492	5 1/4	2	3020	B
△26	13.254	12.444	5 1/4	2	3020	B
△30	15.171	14.351	5 1/4	2	3020	B
35	17.566	16.734	5 1/4	2	3020	C
45	22.351	21.503	5 1/4	2	3020	C
60	29.522	28.661	6 1/2	3 1/2	3525	C
70	34.301	33.434	6 1/2	3 1/2	3525	C
80	39.078	38.207	6 1/2	3 1/2	3525	C

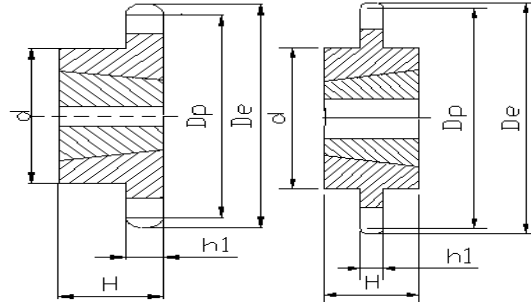




**TAPER BORED SPROCKETS FOR CHAIN 140-1(1 3/4" Pitch)  
SPROCKETS TYPE B&C**

Chain: Pitch: 44.45mm  
Internal width : 25.22mm  
Roller dia.: 25.4mm

Sprocket: Tooth radius r:  
Radius width C:  
Tooth width h1:  
Tooth width L:  
Tooth width h2:  
Tooth width h3:  
Full high H: -



Note:△with hardened teeth,Simplex with 26 teeth or less

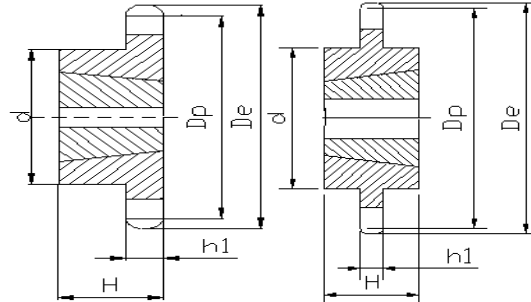
Teeth	De	Dp	Simplex			Type
			d	H	Bush	
△12	7.581	6.762	4 1/4	1 3/4	2517	B
△13	8.15	7.313	5 1/4	2	3020	B
△14	8.718	7.864	5 1/4	2	3020	B
△15	9.283	8.417	5 1/4	2	3020	B
△16	9.848	8.97	5 1/4	2	3020	B
△17	10.411	9.524	5 1/4	2	3020	B
△18	10.975	10.078	5 1/4	2	3020	B
△19	11.537	10.632	5 1/4	2	3020	B
△21	12.66	11.742	5 1/4	2	3020	B
△26	15.463	14.518	5 1/4	2	3020	B
35	20.494	19.523	6 1/2	3 1/2	3535	C
45	26.076	25.087	7 3/4	4	4040	C
60	34.442	33.438	7 3/4	4	4040	C
70	40.017	39.006	7 3/4	4	4040	C



**TAPER BORED SPROCKETS FOR CHAIN 160-1(2" Pitch)  
SPROCKETS TYPE B&TYPE C**

Chain: Pitch: 50.8mm  
Internal width: 31.55mm  
Roller dia.: 28.58mm

Sprocket: Tooth radius r:  
Radius width C:  
Tooth width h1:  
Tooth width L:  
Tooth width h2:  
Tooth width h3:  
Full high H: -



Note:△with hardened teeth,Simplex with 26 teeth or less

Teeth	De	Dp	Simplex			Type
			d	H	Bush	
△11	8.011	7.099	4 1/4	1 3/4	2517	B
△12	8.664	7.727	5 1/4	2	3020	B
△13	9.314	8.357	5 1/4	2	3020	B
△14	9.963	8.988	5 1/4	2	3020	B
△15	10.609	9.62	6 1/2	3 1/2	3535	B
△16	11.255	10.252	6 1/2	3 1/2	3535	B
△17	11.899	10.885	6 1/2	3 1/2	3535	B
△18	12.543	11.518	6 1/2	3 1/2	3535	B
△19	13.185	12.151	6 1/2	3 1/2	3535	B
△21	14.47	13.419	6 1/2	3 1/2	3535	B
△26	17.671	16.593	6 1/2	3 1/2	3535	B
35	23.422	22.312	7 3/4	4	4040	C
45	29.802	28.671	7 3/4	4	4040	C
60	39.362	38.215	7 3/4	4 1/2	4545	C