



**CHINA CHAINS  
& GENERAL MACHINERY FACTORY**

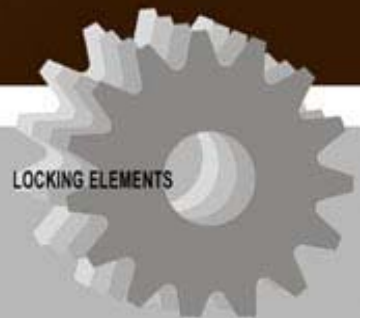


## LOCKING ELEMENTS



华链通用机械有限公司

LOCKING ELEMENTS



# CCGMF CATALOGUE

## Locking Elements 联结套

|             |    |
|-------------|----|
| HKC 11..... | 1  |
| HKC 13..... | 2  |
| HKC 15..... | 3  |
| HKC 16..... | 4  |
| HKC 19..... | 5  |
| HKC 40..... | 6  |
| HKC 45..... | 7  |
| HKC 50..... | 8  |
| HKC 55..... | 9  |
| HKC 61..... | 10 |
| HKC 70..... | 11 |
| HKC 71..... | 12 |
| HKC 80..... | 13 |
| HKC 95..... | 14 |

**SIZE:HKC-11**

**the size to fix(recommend):**

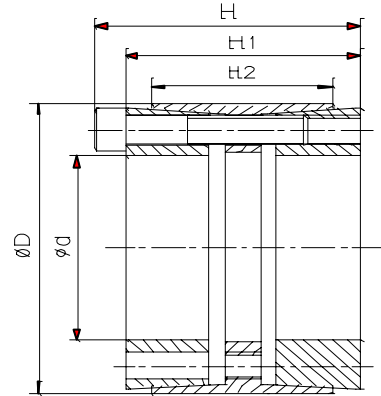
**shaft: h8**

**hub: H8**

**推荐安装尺寸:**

**轴: h8**

**毂: H8**



| dimensions |     |     |     |     | transmission |        | contact pressure |       | locking screws Din912-12.9 |         |                   |
|------------|-----|-----|-----|-----|--------------|--------|------------------|-------|----------------------------|---------|-------------------|
| 尺寸         |     |     |     |     | 传动           |        | 接触面的压力           |       | Din 912-12.9级锁紧螺钉          |         |                   |
|            |     |     |     |     | axial force  | torque | shaft            | hub   | qty                        | size    | tightening torque |
|            |     |     |     |     | 传递的轴向力       | 传递扭矩   | 轴                | 毂     |                            |         | 锁紧扭矩              |
| d          | D   | H   | H1  | H2  | Ft           | Mt     | P                | P1    | 数量                         | 规格      | Ts                |
| mm         | mm  | mm  | mm  | mm  | KN           | Nm     | N/mm2            | N/mm2 |                            |         | Nm                |
| 25         | 55  | 46  | 40  | 32  | 59           | 743    | 292              | 100   | 6                          | m6x35   | 17                |
| 28         | 55  | 46  | 40  | 32  | 59           | 832    | 261              | 100   | 6                          | m6x35   | 17                |
| 30         | 55  | 46  | 40  | 32  | 59           | 891    | 243              | 100   | 6                          | m6x35   | 17                |
| 35         | 60  | 60  | 54  | 44  | 69           | 1211   | 172              | 77    | 7                          | m6x45   | 17                |
| 38         | 75  | 62  | 54  | 44  | 125          | 2372   | 285              | 112   | 7                          | m8x50   | 41                |
| 40         | 75  | 62  | 54  | 44  | 125          | 2497   | 271              | 112   | 7                          | m8x50   | 41                |
| 42         | 75  | 62  | 54  | 44  | 125          | 2622   | 258              | 112   | 7                          | m8x50   | 41                |
| 45         | 75  | 62  | 54  | 44  | 125          | 2809   | 241              | 112   | 7                          | m8x50   | 41                |
| 48         | 80  | 62  | 64  | 56  | 143          | 3427   | 199              | 94    | 8                          | m8x55   | 41                |
| 50         | 80  | 72  | 64  | 56  | 143          | 3569   | 191              | 94    | 8                          | m8x55   | 41                |
| 55         | 85  | 72  | 64  | 56  | 161          | 4416   | 196              | 99    | 9                          | m8x55   | 41                |
| 60         | 90  | 72  | 64  | 56  | 178          | 5352   | 199              | 104   | 10                         | m8x55   | 41                |
| 65         | 95  | 72  | 64  | 56  | 178          | 5799   | 184              | 99    | 10                         | m8x55   | 41                |
| 70         | 110 | 88  | 78  | 70  | 289          | 10123  | 218              | 111   | 10                         | m10x60  | 83                |
| 75         | 115 | 88  | 78  | 70  | 289          | 10846  | 203              | 106   | 10                         | m10x60  | 83                |
| 80         | 120 | 88  | 78  | 70  | 318          | 12727  | 209              | 112   | 11                         | m10x60  | 83                |
| 85         | 125 | 88  | 78  | 70  | 347          | 14752  | 215              | 117   | 12                         | m10x60  | 83                |
| 90         | 130 | 88  | 78  | 70  | 347          | 15620  | 203              | 112   | 12                         | m10x60  | 83                |
| 95         | 135 | 88  | 78  | 70  | 347          | 16488  | 192              | 108   | 12                         | m10x60  | 83                |
| 100        | 145 | 112 | 100 | 90  | 463          | 23150  | 195              | 105   | 11                         | m12x80  | 145               |
| 110        | 155 | 112 | 100 | 90  | 505          | 27781  | 193              | 107   | 12                         | m12x80  | 145               |
| 120        | 165 | 112 | 100 | 90  | 589          | 35361  | 207              | 117   | 14                         | m12x80  | 145               |
| 130        | 180 | 130 | 116 | 104 | 687          | 44633  | 185              | 108   | 12                         | m14x90  | 230               |
| 140        | 190 | 130 | 116 | 104 | 801          | 56073  | 201              | 120   | 14                         | m14x90  | 230               |
| 150        | 200 | 130 | 116 | 104 | 858          | 64371  | 201              | 122   | 15                         | m14x90  | 230               |
| 160        | 210 | 130 | 116 | 104 | 916          | 73241  | 201              | 124   | 16                         | m14x90  | 230               |
| 170        | 225 | 164 | 148 | 134 | 1098         | 93306  | 190              | 107   | 14                         | m16x110 | 360               |
| 180        | 235 | 164 | 148 | 134 | 1176         | 105851 | 193              | 110   | 15                         | m16x110 | 360               |
| 190        | 250 | 164 | 148 | 134 | 1255         | 119180 | 195              | 110   | 16                         | m16x110 | 360               |
| 200        | 260 | 164 | 148 | 134 | 1255         | 125453 | 185              | 106   | 16                         | m16x110 | 360               |
| 220        | 285 | 164 | 148 | 134 | 1411         | 155248 | 189              | 109   | 18                         | m16x110 | 360               |

**SIZE:HKC-13**

**the size to fix(recommend):**

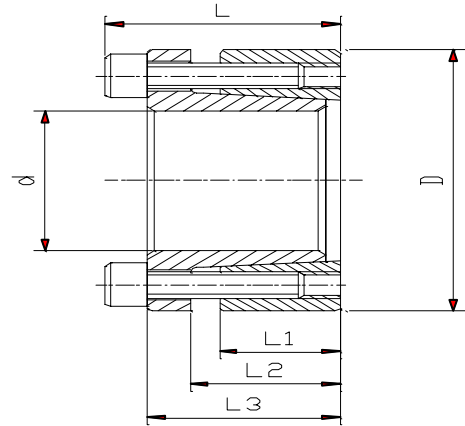
**shaft: h8**

**hub: H8**

**推荐安装尺寸:**

**轴: h8**

**毂: H8**



| dimensions |     |    |    |    |    |    | transmission |        | contact pressure |       | locking screws Din912-12.9 |        |                   |
|------------|-----|----|----|----|----|----|--------------|--------|------------------|-------|----------------------------|--------|-------------------|
| 尺寸         |     |    |    |    |    |    | 传动           |        | 接触面压力            |       | Din 912-12.9级锁紧螺钉          |        |                   |
|            |     |    |    |    |    |    | axial force  | torque | shaft            | hub   | qty                        | size   | tightening torque |
|            |     |    |    |    |    |    | 传递的轴向力       | 传递扭矩   | 轴                | 毂     |                            |        | 锁紧扭矩              |
| d          | D   | L1 | L2 | L3 | L4 | L  | Ft           | Mt     | P                | P1    | 数量                         | 规格     | Ts                |
| mm         | mm  | mm | mm | mm | mm | mm | KN           | Nm     | N/mm2            | N/mm2 |                            |        | Nm                |
| 19         | 47  | 17 | 22 | 28 | 25 | 34 | 29           | 273    | 262              | 106   | 5                          | M6x20  | 13                |
| 20         | 47  | 17 | 22 | 28 | 25 | 34 | 29           | 287    | 249              | 106   | 5                          | M6x20  | 13                |
| 22         | 47  | 17 | 22 | 28 | 25 | 34 | 29           | 316    | 227              | 106   | 5                          | M6x20  | 13                |
| 24         | 50  | 17 | 22 | 28 | 25 | 34 | 34           | 413    | 249              | 120   | 6                          | M6x20  | 13                |
| 25         | 50  | 17 | 22 | 28 | 25 | 34 | 34           | 431    | 239              | 120   | 6                          | M6x20  | 13                |
| 28         | 55  | 17 | 22 | 28 | 25 | 34 | 34           | 482    | 213              | 109   | 6                          | M6x20  | 13                |
| 30         | 55  | 17 | 22 | 28 | 25 | 34 | 34           | 517    | 199              | 109   | 6                          | M6x20  | 13                |
| 32         | 60  | 17 | 22 | 28 | 25 | 34 | 46           | 734    | 249              | 133   | 8                          | M6x20  | 13                |
| 35         | 60  | 17 | 22 | 28 | 25 | 34 | 46           | 803    | 227              | 133   | 8                          | M6x20  | 13                |
| 38         | 65  | 17 | 22 | 28 | 25 | 34 | 46           | 872    | 210              | 122   | 8                          | M6x20  | 13                |
| 40         | 65  | 17 | 22 | 28 | 25 | 34 | 46           | 918    | 199              | 122   | 8                          | M6x20  | 13                |
| 42         | 75  | 20 | 25 | 33 | 30 | 41 | 74           | 1563   | 261              | 146   | 7                          | M8x25  | 32                |
| 45         | 75  | 20 | 25 | 33 | 30 | 41 | 74           | 1674   | 244              | 146   | 7                          | M8x25  | 32                |
| 50         | 80  | 20 | 25 | 33 | 30 | 41 | 74           | 1860   | 219              | 137   | 7                          | M8x25  | 32                |
| 55         | 85  | 20 | 25 | 33 | 30 | 41 | 85           | 2340   | 228              | 148   | 8                          | M8x25  | 32                |
| 60         | 90  | 20 | 25 | 33 | 30 | 41 | 85           | 2553   | 209              | 139   | 8                          | M8x25  | 32                |
| 65         | 95  | 20 | 25 | 33 | 30 | 41 | 96           | 3110   | 217              | 149   | 9                          | M8x25  | 32                |
| 70         | 110 | 24 | 30 | 40 | 37 | 50 | 138          | 4838   | 243              | 154   | 8                          | M10x30 | 65                |
| 75         | 115 | 24 | 30 | 40 | 37 | 50 | 138          | 5184   | 226              | 148   | 8                          | M10x30 | 65                |
| 80         | 120 | 24 | 30 | 40 | 37 | 50 | 138          | 5530   | 212              | 142   | 8                          | M10x30 | 65                |
| 85         | 125 | 24 | 30 | 40 | 37 | 50 | 156          | 6610   | 225              | 153   | 9                          | M10x30 | 65                |
| 90         | 130 | 24 | 30 | 40 | 37 | 50 | 156          | 6998   | 212              | 147   | 9                          | M10x30 | 65                |
| 95         | 135 | 24 | 30 | 40 | 37 | 50 | 173          | 8208   | 223              | 157   | 10                         | M10x30 | 65                |
| 100        | 145 | 26 | 32 | 44 | 41 | 56 | 195          | 9742   | 221              | 152   | 8                          | M12x35 | 110               |
| 110        | 155 | 26 | 32 | 44 | 41 | 56 | 195          | 10716  | 201              | 143   | 8                          | M12x35 | 110               |
| 120        | 165 | 26 | 32 | 44 | 41 | 56 | 219          | 13154  | 207              | 151   | 9                          | M12x35 | 110               |
| 130        | 180 | 34 | 40 | 52 | 49 | 64 | 292          | 18996  | 195              | 141   | 12                         | M12x35 | 110               |
| 140        | 190 | 34 | 40 | 54 | 51 | 68 | 291          | 20336  | 180              | 133   | 9                          | M14x40 | 170               |
| 150        | 200 | 34 | 40 | 54 | 51 | 68 | 323          | 24211  | 187              | 140   | 10                         | M14x40 | 170               |
| 160        | 210 | 34 | 40 | 54 | 51 | 68 | 355          | 28408  | 192              | 147   | 11                         | M14x40 | 170               |
| 170        | 225 | 44 | 50 | 64 | 61 | 78 | 387          | 32929  | 153              | 115   | 12                         | M14x40 | 170               |
| 180        | 235 | 44 | 50 | 64 | 61 | 78 | 387          | 34866  | 144              | 110   | 12                         | M14x40 | 170               |

**SIZE: HKC-15**

**the dimension to fix(recommend):**

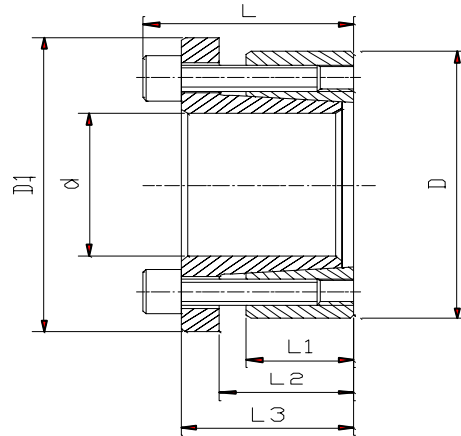
**shaft: h8**

**hub: H8**

推荐安装尺寸:

轴: h8

毂: H8



| dimensions |    |    |    |    |    |    | transmission |        | contact pressure |       | locking screws Din12-12.9 |       |                   |
|------------|----|----|----|----|----|----|--------------|--------|------------------|-------|---------------------------|-------|-------------------|
| 尺寸         |    |    |    |    |    |    | 传动           |        | 接触面的压力           |       | Din 912-12.9级锁紧螺钉         |       |                   |
|            |    |    |    |    |    |    | axial force  | torque | shaft            | hub   | qty                       | size  | tightening torque |
|            |    |    |    |    |    |    | 传递的轴向力       | 传递扭矩   | 轴                | 毂     |                           |       | 锁紧扭矩              |
| d          | D  | D1 | L1 | L2 | L3 | L  | Ft           | Mt     | P                | P1    | 数量                        | 规格    | Ts                |
| mm         | mm | mm | mm | mm | mm | mm | KN           | Nm     | N/mm2            | N/mm2 |                           |       | Nm                |
| 14         | 55 | 62 | 17 | 22 | 31 | 39 | 31           | 216    | 383              | 97    | 4                         | m8x25 | 37                |
| 16         | 55 | 62 | 17 | 22 | 31 | 39 | 31           | 247    | 335              | 97    | 4                         | m8x25 | 37                |
| 18         | 55 | 62 | 17 | 22 | 31 | 39 | 34           | 308    | 330              | 108   | 4                         | m8x25 | 41                |
| 19         | 55 | 62 | 17 | 22 | 31 | 39 | 34           | 325    | 313              | 108   | 4                         | m8x25 | 41                |
| 20         | 55 | 62 | 17 | 22 | 31 | 39 | 34           | 342    | 297              | 108   | 4                         | m8x25 | 41                |
| 22         | 55 | 62 | 17 | 22 | 31 | 39 | 34           | 377    | 270              | 108   | 4                         | m8x25 | 41                |
| 24         | 55 | 62 | 17 | 22 | 31 | 39 | 34           | 411    | 247              | 108   | 4                         | m8x25 | 41                |
| 25         | 55 | 62 | 17 | 22 | 31 | 39 | 34           | 428    | 238              | 108   | 4                         | m8x25 | 41                |
| 28         | 55 | 62 | 17 | 22 | 31 | 39 | 34           | 479    | 212              | 108   | 4                         | m8x25 | 41                |
| 30         | 55 | 62 | 17 | 22 | 31 | 39 | 34           | 514    | 198              | 108   | 4                         | m8x25 | 41                |
| 24         | 65 | 72 | 17 | 22 | 31 | 39 | 43           | 513    | 309              | 114   | 5                         | m8x25 | 41                |
| 25         | 65 | 72 | 17 | 22 | 31 | 39 | 43           | 535    | 297              | 114   | 5                         | m8x25 | 41                |
| 28         | 65 | 72 | 17 | 22 | 31 | 39 | 43           | 599    | 265              | 114   | 5                         | m8x25 | 41                |
| 30         | 65 | 72 | 17 | 22 | 31 | 39 | 43           | 642    | 247              | 114   | 5                         | m8x25 | 41                |
| 32         | 65 | 72 | 17 | 22 | 31 | 39 | 43           | 684    | 232              | 114   | 5                         | m8x25 | 41                |
| 35         | 65 | 72 | 17 | 22 | 31 | 39 | 43           | 748    | 212              | 114   | 5                         | m8x25 | 41                |
| 38         | 65 | 72 | 17 | 22 | 31 | 39 | 43           | 813    | 195              | 114   | 5                         | m8x25 | 41                |
| 40         | 65 | 72 | 17 | 22 | 31 | 39 | 43           | 855    | 185              | 114   | 5                         | m8x25 | 41                |
| 30         | 80 | 87 | 20 | 25 | 33 | 41 | 60           | 899    | 295              | 110   | 7                         | m8x25 | 41                |
| 32         | 80 | 87 | 20 | 25 | 33 | 41 | 60           | 959    | 276              | 110   | 7                         | m8x25 | 41                |
| 35         | 80 | 87 | 20 | 25 | 33 | 41 | 60           | 1049   | 253              | 110   | 7                         | m8x25 | 41                |
| 38         | 80 | 87 | 20 | 25 | 33 | 41 | 60           | 1139   | 233              | 110   | 7                         | m8x25 | 41                |
| 40         | 80 | 87 | 20 | 25 | 33 | 41 | 60           | 1199   | 221              | 108   | 7                         | m8x25 | 41                |
| 42         | 80 | 87 | 20 | 25 | 33 | 41 | 60           | 1259   | 210              | 110   | 7                         | m8x25 | 41                |
| 45         | 80 | 87 | 20 | 25 | 33 | 41 | 60           | 1349   | 196              | 110   | 7                         | m8x25 | 41                |
| 48         | 80 | 87 | 20 | 25 | 33 | 41 | 60           | 1439   | 184              | 110   | 7                         | m8x25 | 41                |
| 50         | 80 | 87 | 20 | 25 | 33 | 41 | 60           | 1499   | 177              | 110   | 7                         | m8x25 | 41                |

**SIZE: HKC-16**

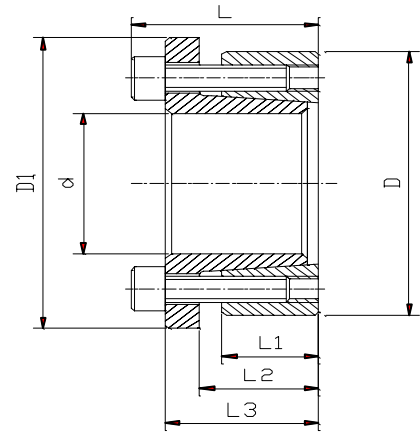
**the size to fix(recommend):**

**shaft: h8**

**hub: H8**

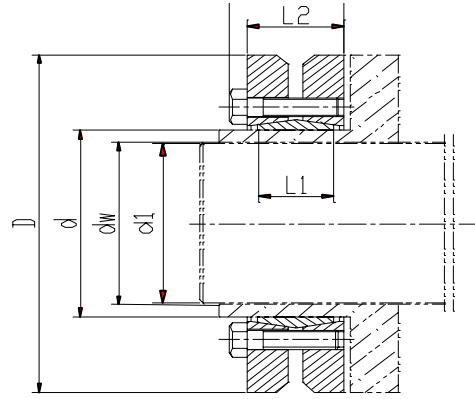
**推荐安装尺寸:**

**轴: h8**



| dimensions |     |     |    |    |    |    | transmission | contact pressure | locking screws Din912-12.9 |       |     |        |                   |
|------------|-----|-----|----|----|----|----|--------------|------------------|----------------------------|-------|-----|--------|-------------------|
| 尺寸         |     |     |    |    |    |    | 传动           | 接触面的压力           | Din 912-12.9级锁紧螺钉          |       |     |        |                   |
|            |     |     |    |    |    |    | axial force  | torque           | shaft                      | hub   | qty | size   | tightening torque |
|            |     |     |    |    |    |    | 传递的轴向力       | 传递扭矩             | 轴                          | 毂     |     |        | 锁紧扭矩              |
| d          | D   | D1  | L1 | L2 | L3 | L  | Ft           | Mt               | P                          | P1    | 数量  | 规格     | Ts                |
| mm         | mm  | mm  | mm | mm | mm | mm | KN           | Nm               | N/mm2                      | N/mm2 |     |        | Nm                |
| 19         | 47  | 56  | 17 | 22 | 28 | 34 | 24           | 226              | 217                        | 88    | 5   | m6x20  | 17                |
| 20         | 47  | 56  | 17 | 22 | 28 | 34 | 24           | 238              | 206                        | 88    | 5   | m6x20  | 17                |
| 22         | 47  | 56  | 17 | 22 | 28 | 34 | 24           | 261              | 187                        | 88    | 5   | m6x20  | 17                |
| 24         | 50  | 59  | 17 | 22 | 28 | 34 | 29           | 342              | 206                        | 99    | 6   | m6x20  | 17                |
| 25         | 50  | 59  | 17 | 22 | 28 | 34 | 29           | 356              | 198                        | 99    | 6   | m6x20  | 17                |
| 28         | 55  | 64  | 17 | 22 | 28 | 34 | 29           | 399              | 177                        | 90    | 6   | m6x20  | 17                |
| 30         | 55  | 64  | 17 | 22 | 28 | 34 | 29           | 428              | 165                        | 90    | 6   | m6x20  | 17                |
| 32         | 60  | 69  | 17 | 22 | 28 | 34 | 38           | 608              | 206                        | 110   | 8   | m6x20  | 17                |
| 35         | 60  | 69  | 17 | 22 | 28 | 34 | 38           | 665              | 188                        | 110   | 8   | m6x20  | 17                |
| 38         | 65  | 74  | 17 | 22 | 28 | 34 | 38           | 722              | 174                        | 101   | 8   | m6x20  | 17                |
| 40         | 65  | 74  | 17 | 22 | 28 | 34 | 38           | 760              | 165                        | 101   | 8   | m6x20  | 17                |
| 42         | 75  | 84  | 20 | 25 | 33 | 41 | 60           | 1259             | 210                        | 118   | 7   | m8x25  | 41                |
| 45         | 75  | 84  | 20 | 25 | 33 | 41 | 60           | 1349             | 196                        | 118   | 7   | m8x25  | 41                |
| 50         | 80  | 84  | 20 | 25 | 33 | 41 | 60           | 1499             | 177                        | 110   | 7   | m8x25  | 41                |
| 55         | 85  | 94  | 20 | 25 | 33 | 41 | 68           | 1883             | 184                        | 119   | 8   | m8x25  | 41                |
| 60         | 90  | 99  | 20 | 25 | 33 | 41 | 68           | 2054             | 168                        | 112   | 8   | m8x25  | 41                |
| 65         | 95  | 104 | 20 | 25 | 33 | 41 | 77           | 2503             | 175                        | 120   | 9   | m8x25  | 41                |
| 70         | 110 | 119 | 24 | 30 | 40 | 50 | 111          | 3886             | 195                        | 124   | 8   | m10x30 | 83                |
| 75         | 115 | 124 | 24 | 30 | 40 | 50 | 111          | 4163             | 182                        | 119   | 8   | m10x30 | 83                |
| 80         | 120 | 129 | 24 | 30 | 40 | 50 | 111          | 4441             | 171                        | 114   | 8   | m10x30 | 83                |
| 85         | 125 | 134 | 24 | 30 | 40 | 50 | 125          | 5306             | 180                        | 123   | 9   | m10x30 | 83                |
| 90         | 130 | 139 | 24 | 30 | 40 | 50 | 125          | 5618             | 170                        | 118   | 9   | m10x30 | 83                |
| 95         | 135 | 144 | 24 | 30 | 40 | 50 | 139          | 6587             | 179                        | 126   | 10  | m10x30 | 83                |
| 100        | 145 | 154 | 26 | 32 | 44 | 56 | 162          | 8078             | 183                        | 126   | 8   | m12x35 | 145               |
| 110        | 155 | 164 | 26 | 32 | 44 | 56 | 162          | 8886             | 167                        | 118   | 8   | m12x35 | 145               |
| 120        | 165 | 174 | 26 | 32 | 44 | 56 | 182          | 10899            | 172                        | 125   | 9   | m12x35 | 145               |
| 130        | 180 | 189 | 34 | 40 | 52 | 64 | 242          | 15746            | 162                        | 117   | 12  | m12x35 | 145               |
| 140        | 190 | 199 | 34 | 40 | 54 | 68 | 247          | 17290            | 153                        | 113   | 9   | m14x40 | 230               |
| 150        | 200 | 209 | 34 | 40 | 54 | 68 | 274          | 20582            | 159                        | 119   | 10  | m14x40 | 230               |
| 160        | 210 | 219 | 34 | 40 | 54 | 68 | 302          | 24149            | 164                        | 125   | 11  | m14x40 | 230               |
| 170        | 225 | 234 | 44 | 50 | 64 | 78 | 329          | 27990            | 130                        | 98    | 12  | m14x40 | 230               |
| 180        | 235 | 244 | 44 | 50 | 64 | 78 | 329          | 29636            | 123                        | 94    | 12  | m14x40 | 230               |

**SIZE:HKC-19**  
**the size to**  
**fix(recommend):**  
**shaft: h8**  
**推荐安装尺寸:**  
**轴:h8**



| dimensions |     |     |    |      |      |        | transmission |        | contact pressure | locking screws Din931-10.9 |        |            |
|------------|-----|-----|----|------|------|--------|--------------|--------|------------------|----------------------------|--------|------------|
|            |     |     |    |      |      |        | 传动           |        | 接触面的压力           | Din 931-10.9级锁紧螺钉          |        |            |
| 尺寸         |     |     |    |      |      |        | axial force  | torque | shaft            | qty                        | size   | tightening |
|            |     |     |    |      |      |        | 传递的轴向力       | 传递扭矩   |                  |                            |        | 轴          |
| d          | D   | dw  | L1 | L2   | L    | (dw-d) | Ft           | Mt     | P                | 数量                         | 规格     | Ts         |
| mm         | mm  | mm  | mm | mm   | mm   | mm     | KN           | Nm     | N/mm2            |                            |        | Nm         |
| 24         | 50  | 19  | 14 | 19.5 | 23   | 0.017  | 15           | 162    | 272              | 6                          | M5x18  | 4.9        |
|            |     | 20  |    |      |      |        | 18.5         | 200    |                  |                            |        |            |
|            |     | 21  |    |      |      |        | 21           | 238    |                  |                            |        |            |
| 30         | 60  | 24  | 16 | 21.5 | 25   | 0.017  | 15.7         | 285    | 221              | 7                          | M5x18  | 4.9        |
|            |     | 25  |    |      |      |        | 23.7         | 323    |                  |                            |        |            |
|            |     | 26  |    |      |      |        | 26.7         | 361    |                  |                            |        |            |
| 36         | 72  | 28  | 18 | 23.5 | 27.5 | 0.032  | 27           | 418    | 292              | 5                          | M6x20  | 11.8       |
|            |     | 30  |    |      |      |        | 38           | 542    |                  |                            |        |            |
|            |     | 31  |    |      |      |        | 43           | 599    |                  |                            |        |            |
| 44         | 80  | 32  | 20 | 25.5 | 29.5 | 0.032  | 44           | 589    | 301              | 7                          | M6x20  | 11.8       |
|            |     | 35  |    |      |      |        | 49           | 741    |                  |                            |        |            |
|            |     | 36  |    |      |      |        | 54           | 817    |                  |                            |        |            |
| 50         | 90  | 38  | 22 | 27.5 | 31.5 | 0.032  | 48.8         | 893    | 275              | 8                          | M6x25  | 11.8       |
|            |     | 40  |    |      |      |        | 58.8         | 1102   |                  |                            |        |            |
|            |     | 42  |    |      |      |        | 69           | 1311   |                  |                            |        |            |
| 55         | 100 | 42  | 23 | 30.5 | 34.5 | 0.032  | 48           | 1102   | 239              | 8                          | M6x25  | 11.8       |
|            |     | 45  |    |      |      |        | 61.7         | 1444   |                  |                            |        |            |
|            |     | 48  |    |      |      |        | 77           | 1786   |                  |                            |        |            |
| 62         | 110 | 48  | 23 | 30.5 | 34.5 | 0.048  | 69           | 1758   | 265              | 10                         | M6x25  | 11.8       |
|            |     | 50  |    |      |      |        | 80.9         | 2090   |                  |                            |        |            |
|            |     | 52  |    |      |      |        | 90           | 2280   |                  |                            |        |            |
| 68         | 115 | 50  | 23 | 30.5 | 34.5 | 0.048  | 71.2         | 1900   | 242              | 10                         | M6x25  | 11.8       |
|            |     | 55  |    |      |      |        | 80.9         | 2375   |                  |                            |        |            |
|            |     | 60  |    |      |      |        | 95.7         | 2993   |                  |                            |        |            |
| 75         | 138 | 55  | 25 | 32.5 | 37.8 | 0.048  | 94.4         | 2375   | 259              | 7                          | M8x30  | 29.4       |
|            |     | 60  |    |      |      |        | 111          | 3040   |                  |                            |        |            |
|            |     | 65  |    |      |      |        | 126          | 3753   |                  |                            |        |            |
| 80         | 145 | 60  | 25 | 32.5 | 37.8 | 0.048  | 99.3         | 3040   | 243              | 7                          | M8x30  | 29.4       |
|            |     | 65  |    |      |      |        | 115          | 3705   |                  |                            |        |            |
|            |     | 70  |    |      |      |        | 130          | 4370   |                  |                            |        |            |
| 90         | 155 | 65  | 30 | 39   | 44.3 | 0.048  | 141          | 4513   | 257              | 10                         | M8x35  | 29.4       |
|            |     | 70  |    |      |      |        | 160          | 5700   |                  |                            |        |            |
|            |     | 75  |    |      |      |        | 178          | 6888   |                  |                            |        |            |
| 100        | 170 | 70  | 34 | 44   | 49.3 | 0.048  | 163          | 6555   | 245              | 12                         | M8x35  | 29.4       |
|            |     | 75  |    |      |      |        | 182          | 7125   |                  |                            |        |            |
|            |     | 80  |    |      |      |        | 202          | 8550   |                  |                            |        |            |
| 110        | 185 | 75  | 39 | 50   | 56.4 | 0.048  | 185          | 6840   | 232              | 9                          | M10x40 | 57.8       |
|            |     | 80  |    |      |      |        | 207          | 8550   |                  |                            |        |            |
|            |     | 85  |    |      |      |        | 221          | 10260  |                  |                            |        |            |
| 125        | 215 | 85  | 42 | 54   | 60.4 | 0.069  | 240          | 10450  | 253              | 12                         | M10x40 | 57.8       |
|            |     | 90  |    |      |      |        | 262          | 12350  |                  |                            |        |            |
|            |     | 95  |    |      |      |        | 285          | 14250  |                  |                            |        |            |
| 140        | 230 | 95  | 46 | 60.5 | 68   | 0.069  | 308          | 14345  | 251              | 10                         | M12x45 | 98         |
|            |     | 100 |    |      |      |        | 331          | 16720  |                  |                            |        |            |
|            |     | 105 |    |      |      |        | 357          | 19095  |                  |                            |        |            |
| 155        | 265 | 105 | 50 | 64.5 | 72   | 0.069  | 366          | 20900  | 250              | 12                         | M12x50 | 98         |
|            |     | 110 |    |      |      |        | 392          | 23750  |                  |                            |        |            |
|            |     | 115 |    |      |      |        | 417          | 26600  |                  |                            |        |            |
| 165        | 290 | 115 | 56 | 71   | 81   | 0.069  | 513          | 29450  | 263              | 8                          | M16x55 | 245        |
|            |     | 120 |    |      |      |        | 544          | 33250  |                  |                            |        |            |
|            |     | 125 |    |      |      |        | 564          | 37050  |                  |                            |        |            |
| 175        | 300 | 125 | 56 | 71   | 81   | 0.079  | 576          | 34200  | 248              | 8                          | M16x55 | 250        |
|            |     | 130 |    |      |      |        | 630          | 38950  |                  |                            |        |            |
|            |     | 135 |    |      |      |        | 666          | 45000  |                  |                            |        |            |



**SIZE:HKC-40**

**the size to fix (recommend):**

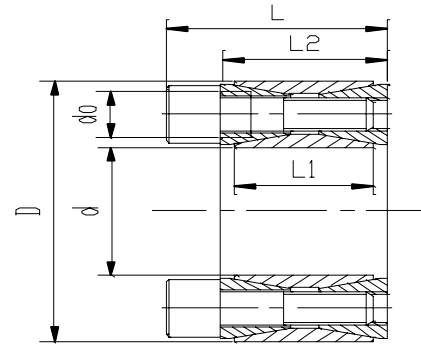
**shaft: h8**

**hub: H8**

**推荐安装尺寸:**

**轴: h8**

**毂: H8**



| dimensions |     |    |    |    | transmission |        | contact pressure |       | locking screws Din912-12.9 |        |            |
|------------|-----|----|----|----|--------------|--------|------------------|-------|----------------------------|--------|------------|
| 尺寸         |     |    |    |    | 传动           |        | 接触面压力            |       | Din 912-12.9级锁紧螺钉          |        |            |
|            |     |    |    |    | axial force  | torque | shaft            | hub   | qty                        | size   | tightening |
|            |     |    |    |    | 传递的轴向力       | 传递扭矩   | 轴                | 毂     |                            |        | 锁紧扭矩       |
| Φd         | ΦD  | L1 | L2 | L  | Ft           | Mt     | P                | P1    | 数量                         | 规格     | Ts         |
| mm         | mm  | mm | mm | mm | KN           | Nm     | N/mm2            | N/mm2 |                            |        | Nm         |
| 19         | 47  | 17 | 20 | 26 | 26.8         | 260    | 220              | 93    | 8                          | m6x18  | 14.9       |
| 20         | 47  | 17 | 20 | 26 | 26.8         | 268    | 210              | 93    | 8                          | m6x18  | 14.9       |
| 22         | 47  | 17 | 20 | 26 | 26.8         | 283    | 207              | 96    | 8                          | m6x18  | 14.9       |
| 24         | 50  | 17 | 20 | 26 | 30.1         | 361    | 206              | 103   | 9                          | m6x18  | 14.9       |
| 25         | 50  | 17 | 20 | 26 | 30.1         | 376    | 206              | 103   | 9                          | m6x18  | 14.9       |
| 28         | 55  | 17 | 20 | 26 | 33.5         | 420    | 204              | 103   | 10                         | m6x18  | 14.9       |
| 30         | 55  | 17 | 20 | 26 | 33.5         | 450    | 190              | 103   | 10                         | m6x18  | 14.9       |
| 32         | 60  | 17 | 20 | 26 | 40.2         | 643    | 214              | 114   | 12                         | m6x18  | 14.9       |
| 35         | 60  | 17 | 20 | 26 | 40.2         | 703    | 196              | 114   | 12                         | m6x18  | 14.9       |
| 38         | 65  | 17 | 20 | 26 | 46.9         | 891    | 204              | 122   | 14                         | m6x18  | 14.9       |
| 40         | 65  | 17 | 20 | 26 | 46.9         | 938    | 200              | 122   | 14                         | m6x18  | 14.9       |
| 42         | 75  | 20 | 24 | 32 | 73.2         | 1537   | 228              | 125   | 12                         | m8x22  | 35         |
| 45         | 75  | 20 | 24 | 32 | 73.2         | 1647   | 208              | 125   | 12                         | m8x22  | 35         |
| 48         | 80  | 20 | 24 | 32 | 73.2         | 1756   | 190              | 110   | 12                         | m8x22  | 35         |
| 50         | 80  | 20 | 24 | 32 | 73.2         | 1830   | 189              | 115   | 12                         | m8x22  | 35         |
| 55         | 85  | 20 | 24 | 32 | 85.4         | 2348   | 200              | 130   | 14                         | m8x22  | 35         |
| 60         | 90  | 20 | 24 | 32 | 85.4         | 2560   | 180              | 122   | 14                         | m8x22  | 35         |
| 65         | 95  | 20 | 24 | 32 | 97.6         | 3170   | 191              | 130   | 16                         | m8x22  | 35         |
| 70         | 110 | 24 | 28 | 38 | 134.4        | 4700   | 211              | 132   | 14                         | m10x25 | 69         |
| 75         | 115 | 24 | 28 | 38 | 134.4        | 5000   | 194              | 128   | 14                         | m10x25 | 69         |
| 80         | 120 | 24 | 28 | 38 | 134.4        | 5300   | 182              | 124   | 14                         | m10x25 | 69         |
| 85         | 125 | 24 | 28 | 38 | 153.6        | 6500   | 196              | 133   | 16                         | m10x25 | 69         |
| 90         | 130 | 24 | 28 | 38 | 153.6        | 6900   | 181              | 128   | 16                         | m10x25 | 69         |
| 95         | 135 | 24 | 28 | 38 | 172.8        | 8200   | 196              | 139   | 18                         | m10x25 | 69         |
| 100        | 145 | 26 | 33 | 45 | 197.4        | 9870   | 198              | 139   | 14                         | m12x30 | 123.3      |
| 110        | 155 | 26 | 33 | 45 | 187.4        | 10800  | 181              | 128   | 14                         | m12x31 | 123.3      |
| 120        | 165 | 26 | 33 | 45 | 225.6        | 13500  | 187              | 139   | 16                         | m12x32 | 123.3      |
| 130        | 180 | 34 | 38 | 50 | 282          | 18300  | 168              | 119   | 20                         | m12x35 | 123.3      |
| 140        | 190 | 34 | 38 | 50 | 310.1        | 21700  | 168              | 128   | 22                         | m12x35 | 123.3      |
| 150        | 200 | 34 | 38 | 50 | 338.4        | 25300  | 170              | 128   | 24                         | m12x35 | 123.3      |
| 160        | 210 | 34 | 38 | 50 | 366.6        | 29300  | 171              | 132   | 26                         | m12x35 | 123.3      |
| 170        | 225 | 38 | 44 | 58 | 389          | 33000  | 162              | 123   | 22                         | m14x40 | 187        |
| 180        | 235 | 38 | 44 | 58 | 424          | 38000  | 168              | 128   | 24                         | m14x40 | 187        |
| 190        | 250 | 46 | 52 | 66 | 495          | 47000  | 154              | 114   | 28                         | m14x45 | 187        |
| 200        | 260 | 46 | 52 | 66 | 531          | 53000  | 157              | 118   | 30                         | m14x45 | 187        |
| 220        | 285 | 50 | 56 | 72 | 631          | 69400  | 152              | 117   | 26                         | m16X50 | 187        |
| 240        | 305 | 50 | 56 | 72 | 860          | 103162 | 211              | 166   | 30                         | m16X50 | 290        |
| 260        | 325 | 50 | 56 | 72 | 974          | 126669 | 221              | 177   | 34                         | m16X50 | 290        |
| 280        | 355 | 60 | 66 | 84 | 1124         | 157339 | 197              | 156   | 32                         | m18X60 | 400        |
| 300        | 375 | 60 | 66 | 84 | 1264         | 189653 | 207              | 166   | 36                         | m18X60 | 400        |
| 320        | 405 | 72 | 78 | 98 | 1651         | 264108 | 211              | 167   | 36                         | m20x70 | 580        |



**SIZE:HKC-45**

**the size to fix(recommend):**

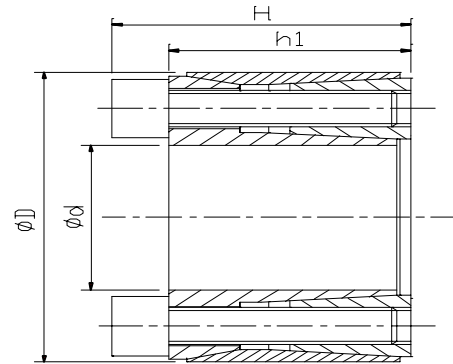
**shaft: h8**

**hub: H8**

**推荐安装尺寸:**

**轴: h8**

**毂: H8**



| dimensions |     |    |      | transmission |        | contact pressure |       | locking screws Din912-12.9 |        |            |
|------------|-----|----|------|--------------|--------|------------------|-------|----------------------------|--------|------------|
| 尺寸         |     |    |      | 传动           |        | 接触面的压力           |       | Din 912-12.9级锁紧螺钉          |        |            |
|            |     |    |      | axial force  | torque | shaft            | hub   | qty                        | size   | tightening |
|            |     |    |      | 传递的轴向力       | 传递扭矩   | 轴                | 毂     |                            |        | 锁紧扭矩       |
| d          | D   | H  | h1   | Ft           | Mt     | P                | P1    | 数量                         | 规格     | Ts         |
| mm         | mm  | mm | mm   | KN           | Nm     | N/mm2            | N/mm2 |                            |        | Nm         |
| 16         | 32  | 24 | 18   | 9            | 72     | 83               | 41    | 4                          | m4x16  | 5.1        |
| 16         | 40  | 24 | 18   | 23           | 210    | 83               | 74    | 4                          | m6X16  | 17         |
| 19         | 41  | 24 | 18   | 23           | 222    | 155              | 72    | 4                          | m6X16  | 17         |
| 20         | 42  | 24 | 18   | 23           | 233    | 147              | 70    | 4                          | m6X16  | 17         |
| 22         | 44  | 24 | 18   | 23           | 257    | 134              | 67    | 4                          | m6X16  | 17         |
| 24         | 46  | 24 | 18   | 35           | 420    | 184              | 96    | 6                          | m6X16  | 17         |
| 25         | 47  | 24 | 18   | 35           | 438    | 177              | 94    | 6                          | m6X16  | 17         |
| 28         | 50  | 24 | 18   | 35           | 490    | 158              | 88    | 6                          | m6X16  | 17         |
| 30         | 52  | 24 | 18   | 35           | 525    | 147              | 85    | 6                          | m6X16  | 17         |
| 32         | 54  | 24 | 18   | 35           | 560    | 138              | 82    | 6                          | m6X16  | 17         |
| 35         | 57  | 28 | 21.5 | 26           | 459    | 79               | 49    | 6                          | m6X18  | 17         |
| 36         | 58  | 28 | 21.5 | 35           | 630    | 103              | 64    | 8                          | m6X18  | 17         |
| 38         | 60  | 28 | 21.5 | 35           | 665    | 97               | 62    | 8                          | m6X18  | 17         |
| 40         | 62  | 28 | 21.5 | 35           | 700    | 93               | 60    | 8                          | m6X18  | 17         |
| 42         | 70  | 36 | 28   | 82           | 1730   | 159              | 96    | 8                          | m8X25  | 40         |
| 45         | 73  | 36 | 28   | 82           | 1853   | 149              | 92    | 8                          | m8X25  | 40         |
| 48         | 76  | 36 | 28   | 82           | 1977   | 139              | 88    | 8                          | m8X25  | 40         |
| 50         | 78  | 36 | 28   | 82           | 2059   | 134              | 86    | 8                          | m8X25  | 40         |
| 55         | 83  | 36 | 28   | 94           | 2589   | 139              | 92    | 8                          | m8X25  | 40         |
| 60         | 88  | 36 | 28   | 94           | 2824   | 127              | 87    | 8                          | m8X25  | 40         |
| 65         | 93  | 45 | 35   | 94           | 3060   | 94               | 66    | 8                          | m8X25  | 40         |
| 70         | 105 | 45 | 35   | 133          | 4671   | 124              | 83    | 8                          | m10X30 | 81         |
| 75         | 110 | 45 | 35   | 133          | 5004   | 116              | 79    | 8                          | m10X30 | 81         |
| 80         | 115 | 45 | 35   | 150          | 6005   | 122              | 85    | 8                          | m10X30 | 81         |
| 85         | 120 | 45 | 35   | 167          | 7089   | 127              | 90    | 10                         | m10X30 | 81         |
| 90         | 125 | 45 | 35   | 167          | 7506   | 120              | 87    | 10                         | m10X30 | 81         |
| 100        | 138 | 45 | 35   | 167          | 8340   | 108              | 79    | 10                         | m10X30 | 81         |

**SIZE:HKC-50**

the size to fix(recommend):

Nominal dimension up to 38mm:

shaft: h6 hub: H7

Nominal dimension greater than 40mm:

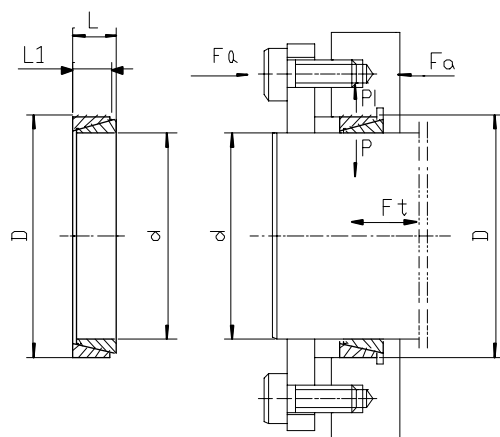
shaft: h8 hub: H8

推荐安装尺寸: 名义尺寸小于等于38mm,

轴: h6 毂: H7

名义尺寸大于等于40mm,

轴: h8 毂: H8



| dimensions |          |     |      | transmission |        | contact pressure |                   |                   |
|------------|----------|-----|------|--------------|--------|------------------|-------------------|-------------------|
|            |          |     |      | 传动           |        | 接触面压力            |                   |                   |
| 尺寸         |          |     |      | axial force  | torque | torque           | shaft             | hub               |
|            |          |     |      | 加载的轴向压力      | 传递的轴向力 | 传递扭矩             | 轴                 | 毂                 |
| $\Phi d$   | $\Phi D$ | L   | L1   | Ft           | Mt     | Mt               | P                 | P1                |
| mm         | mm       | mm  | mm   | KN           | Nm     | Nm               | N/mm <sup>2</sup> | N/mm <sup>2</sup> |
| 8          | 11       | 4.5 | 3.7  | 9.1          | 1.09   | 4.3              | 98                | 73                |
| 10         | 13       | 4.5 | 3.7  | 12.1         | 1.37   | 6.9              | 98                | 75                |
| 12         | 15       | 4.5 | 3.7  | 12.4         | 1.64   | 9.8              | 98                | 78                |
| 13         | 16       | 4.5 | 3.7  | 12.7         | 1.8    | 12               | 98                | 79                |
| 14         | 18       | 6.3 | 5.3  | 20.4         | 2.74   | 19.2             | 98                | 76                |
| 15         | 19       | 6.3 | 5.3  | 23.5         | 2.94   | 22.1             | 98                | 77                |
| 16         | 20       | 6.3 | 5.3  | 23.9         | 3.14   | 25.1             | 98                | 78                |
| 17         | 21       | 6.3 | 5.3  | 24.2         | 3.33   | 28.3             | 98                | 79                |
| 18         | 22       | 6.3 | 5.3  | 24.8         | 3.53   | 31.8             | 98                | 80                |
| 19         | 24       | 6.3 | 5.3  | 29.1         | 3.72   | 35.3             | 98                | 77                |
| 20         | 25       | 6.3 | 5.3  | 29.5         | 3.92   | 39.2             | 98                | 78                |
| 22         | 26       | 6.3 | 5.3  | 28.3         | 4.31   | 47               | 98                | 83                |
| 24         | 28       | 6.3 | 5.3  | 29.4         | 4.7    | 56.8             | 98                | 84                |
| 25         | 30       | 6.3 | 5.3  | 31.8         | 4.9    | 60.8             | 98                | 81                |
| 28         | 32       | 6.3 | 5.3  | 31.9         | 5.49   | 76.4             | 98                | 86                |
| 30         | 35       | 6.3 | 5.3  | 34.8         | 5.88   | 88.2             | 98                | 84                |
| 32         | 36       | 6.3 | 5.3  | 35.9         | 6.27   | 100              | 98                | 87                |
| 35         | 40       | 7   | 6    | 44.8         | 7.74   | 136              | 98                | 86                |
| 36         | 42       | 7   | 6    | 47.3         | 7.94   | 144              | 98                | 84                |
| 38         | 44       | 7   | 6    | 48.8         | 8.43   | 160              | 98                | 84                |
| 40         | 45       | 8   | 6.6  | 57.6         | 9.75   | 195              | 98                | 87                |
| 42         | 48       | 8   | 6.6  | 61.4         | 10.3   | 216              | 98                | 86                |
| 45         | 52       | 10  | 8.6  | 90.3         | 14.3   | 321              | 98                | 85                |
| 48         | 55       | 10  | 8.6  | 92.7         | 15.3   | 367              | 98                | 85                |
| 50         | 57       | 10  | 8.6  | 94.7         | 15.9   | 397              | 98                | 86                |
| 55         | 62       | 10  | 8.6  | 99.7         | 17.4   | 480              | 98                | 87                |
| 56         | 64       | 12  | 10.4 | 125.6        | 21.6   | 603              | 98                | 86                |
| 60         | 68       | 12  | 10.4 | 130.9        | 23     | 692              | 98                | 86                |
| 63         | 71       | 12  | 10.4 | 134.6        | 24.2   | 764              | 98                | 87                |
| 65         | 73       | 12  | 10.4 | 134.9        | 25     | 813              | 98                | 87                |
| 70         | 79       | 14  | 12.2 | 172.4        | 31.6   | 1110             | 98                | 87                |
| 71         | 80       | 14  | 12.2 | 174          | 32     | 1140             | 98                | 87                |
| 75         | 84       | 14  | 12.2 | 185.7        | 33.8   | 1260             | 98                | 87                |
| 80         | 91       | 17  | 15   | 247.1        | 44.1   | 1770             | 98                | 86                |
| 90         | 101      | 17  | 15   | 266.2        | 50     | 2240             | 98                | 87                |
| 100        | 114      | 21  | 18.7 | 370.8        | 69.6   | 3450             | 98                | 86                |
| 110        | 124      | 21  | 18.7 | 406.1        | 76.4   | 4170             | 98                | 87                |
| 120        | 134      | 21  | 18.7 | 432          | 83.3   | 4950             | 98                | 88                |
| 130        | 148      | 28  | 25.3 | 640.8        | 122    | 7840             | 98                | 86                |
| 140        | 158      | 28  | 25.3 | 676.5        | 131    | 9110             | 98                | 87                |
| 150        | 168      | 28  | 25.3 | 713          | 140    | 10500            | 98                | 87                |

**SIZE : HKC-55**

**the size to fix(recommend):**

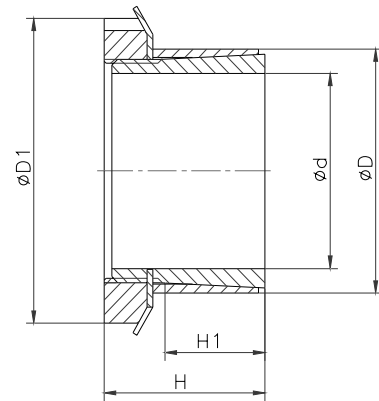
**shaft:h8**

**hub:H8**

**推荐安装尺寸:**

**轴: h8**

**毂: H8**



| dimensions |    |    |    |    | transmission |        | contact pressure |       | locking screws Din912-12.9 |         |            |
|------------|----|----|----|----|--------------|--------|------------------|-------|----------------------------|---------|------------|
| 尺寸         |    |    |    |    | 传动           |        | 接触面的压力           |       | Din 912-12.9级锁紧螺钉          |         |            |
|            |    |    |    |    | axial force  | torque | shaft            | hub   | qty                        | size    | tightening |
|            |    |    |    |    | 传递的轴向力       | 传递扭矩   | 轴                | 毂     |                            |         | 锁紧扭矩       |
| d          | D  | D1 | H  | h1 | Ft           | Mt     | P                | P1    | 数量                         | 规格      | Ts         |
| mm         | mm | mm | mm | mm | KN           | Nm     | N/mm2            | N/mm2 |                            |         | Nm         |
| 15         | 25 | 32 | 31 | 20 | 9            | 77     | 91               | 55    | 1                          | m20x1   | 95         |
| 18         | 30 | 38 | 33 | 21 | 13           | 125    | 98               | 59    | 1                          | m25x1.5 | 160        |
| 19         | 30 | 38 | 33 | 21 | 13           | 132    | 93               | 59    | 1                          | m25x1.5 | 160        |
| 20         | 30 | 38 | 33 | 21 | 13           | 139    | 88               | 59    | 1                          | m25x1.5 | 160        |
| 24         | 35 | 45 | 38 | 25 | 15           | 202    | 74               | 51    | 1                          | m30x1.5 | 220        |
| 25         | 35 | 45 | 38 | 25 | 15           | 210    | 71               | 51    | 1                          | m30x1.5 | 220        |
| 28         | 40 | 52 | 44 | 28 | 20           | 312    | 76               | 53    | 1                          | m35x1.5 | 340        |
| 30         | 40 | 52 | 44 | 28 | 20           | 335    | 71               | 53    | 1                          | m35x1.5 | 340        |
| 35         | 45 | 58 | 45 | 28 | 25           | 483    | 75               | 58    | 1                          | m40x1.5 | 480        |
| 40         | 50 | 65 | 46 | 28 | 31           | 696    | 82               | 66    | 1                          | m45x1.5 | 680        |
| 45         | 55 | 70 | 47 | 28 | 36           | 902    | 84               | 69    | 1                          | m50x1.5 | 870        |
| 50         | 60 | 75 | 47 | 28 | 37           | 1014   | 77               | 64    | 1                          | m55x2   | 970        |
| 55         | 65 | 80 | 48 | 28 | 38           | 1158   | 73               | 61    | 1                          | m60x2   | 1100       |
| 60         | 70 | 85 | 50 | 28 | 41           | 1379   | 73               | 62    | 1                          | m65x2   | 1300       |

**SIZE:HKC-61**

**the size to fix(recommend):**

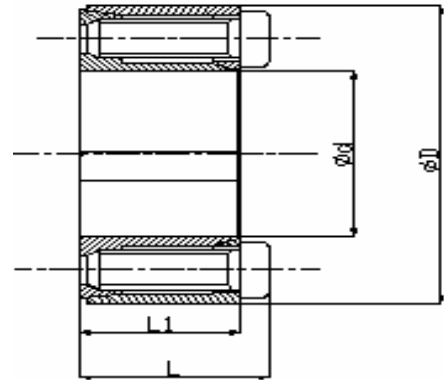
**shaft: h8**

**Hub:H8**

**推荐安装尺寸:**

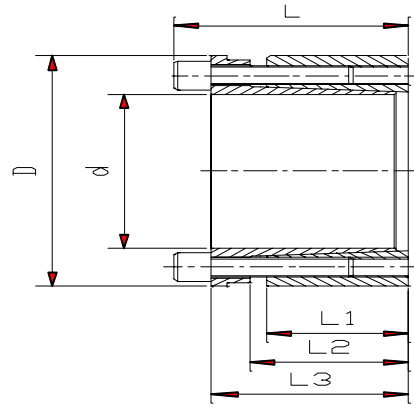
**轴:h8**

**毂: H8**



| dimensions |    |    |      | transmission |        | contact pressure |       | locking screws Din912-12.9 |         |            |
|------------|----|----|------|--------------|--------|------------------|-------|----------------------------|---------|------------|
| 尺寸         |    |    |      | 传动           |        | 接触面压力            |       | Din 912-12.9级锁紧螺钉          |         |            |
|            |    |    |      | axial force  | torque | shaft            | hub   | qty                        | size    | tightening |
|            |    |    |      | 传递的轴向力       | 传递扭矩   | 轴                | 毂     |                            |         | 锁紧扭矩       |
| Φd         | ΦD | L1 | L    | Ft           | Mt     | P                | P1    | 数量                         | 规格      | Ts         |
| mm         | mm | mm | mm   | KN           | Nm     | N/mm2            | N/mm2 |                            |         | Nm         |
| 10         | 20 | 13 | 15.5 | 3.8          | 19     | 89               | 45    | 4                          | m2.5X12 | 1.2        |
| 11         | 22 | 13 | 15.5 | 3.8          | 21     | 81               | 41    | 4                          | m2.5X12 | 1.2        |
| 12         | 22 | 13 | 15.5 | 3.8          | 23     | 75               | 41    | 4                          | m2.5X12 | 1.2        |
| 14         | 26 | 17 | 20   | 5.5          | 39     | 71               | 38    | 4                          | m3x16   | 2.1        |
| 15         | 28 | 17 | 20   | 5.5          | 42     | 66               | 35    | 4                          | m3x16   | 2.1        |
| 16         | 32 | 17 | 21   | 9.6          | 77     | 107              | 54    | 4                          | m4x16   | 4.9        |
| 17         | 35 | 21 | 25   | 9.6          | 82     | 81               | 40    | 4                          | m4x20   | 4.9        |
| 18         | 35 | 21 | 25   | 9.6          | 87     | 77               | 40    | 4                          | m4x20   | 4.9        |
| 19         | 35 | 21 | 25   | 24.8         | 91     | 73               | 40    | 4                          | m4x20   | 4.9        |
| 20         | 38 | 21 | 26   | 15.7         | 157    | 113              | 60    | 4                          | m5x20   | 10         |
| 22         | 40 | 21 | 26   | 15.7         | 173    | 103              | 57    | 4                          | m5x20   | 10         |
| 24         | 47 | 26 | 32   | 22.3         | 268    | 110              | 56    | 4                          | m6x24   | 17         |
| 25         | 47 | 26 | 32   | 22.3         | 279    | 105              | 56    | 4                          | m6x24   | 17         |
| 28         | 50 | 26 | 32   | 33.5         | 468    | 141              | 79    | 6                          | m6x24   | 17         |
| 30         | 55 | 26 | 32   | 33.5         | 502    | 132              | 72    | 6                          | m6x24   | 17         |
| 32         | 55 | 26 | 32   | 33.5         | 535    | 123              | 72    | 6                          | m6x24   | 17         |
| 35         | 60 | 31 | 37   | 44.6         | 781    | 125              | 73    | 8                          | m6x28   | 17         |
| 38         | 65 | 31 | 37   | 44.6         | 848    | 115              | 67    | 8                          | m6x28   | 17         |
| 40         | 65 | 31 | 37   | 44.6         | 892    | 110              | 67    | 8                          | m6x28   | 17         |
| 42         | 75 | 36 | 44   | 60.6         | 1272   | 122              | 68    | 6                          | m8x34   | 41         |
| 45         | 75 | 36 | 44   | 60.6         | 1363   | 113              | 68    | 6                          | m8x34   | 41         |
| 48         | 80 | 36 | 44   | 80.8         | 1938   | 142              | 85    | 8                          | m8x34   | 41         |
| 50         | 80 | 36 | 44   | 80.8         | 2019   | 136              | 85    | 8                          | m8x34   | 41         |

**SIZE:HKC-70**  
**the size to fix**  
**(recommend):**  
**shaft: h8**  
**hub: H8**  
**推荐安装尺寸:**  
**轴: h8**  
**毂: H8**



| dimensions |     |    |    |    |    | transmission |        | contact pressure |       | locking screws Din912-12.9 |        |            |
|------------|-----|----|----|----|----|--------------|--------|------------------|-------|----------------------------|--------|------------|
| 尺寸         |     |    |    |    |    | 传动           |        | 接触面压力            |       | Din 912-12.9级锁紧螺钉          |        |            |
|            |     |    |    |    |    | axial force  | torque | shaft            | hub   | qty                        | size   | tightening |
|            |     |    |    |    |    | 传递的轴         | 传递扭矩   | 轴                | 毂     |                            |        | 锁紧扭矩       |
| Φd         | ΦD  | L1 | L2 | L3 | L  | Ft           | Mt     | P                | P1    | 数量                         | 规格     | Ts         |
| mm         | mm  | mm | mm | mm | mm | KN           | Nm     | N/mm2            | N/mm2 |                            |        | Nm         |
| 19         | 47  | 26 | 31 | 39 | 45 | 32           | 307    | 193              | 78    | 4                          | m6x25  | 17         |
| 20         | 47  | 26 | 31 | 39 | 45 | 32           | 323    | 183              | 78    | 4                          | m6x25  | 17         |
| 22         | 47  | 26 | 31 | 39 | 45 | 32           | 355    | 166              | 78    | 4                          | m6x25  | 17         |
| 24         | 50  | 26 | 31 | 39 | 45 | 48           | 582    | 229              | 110   | 6                          | m6x25  | 17         |
| 25         | 50  | 26 | 31 | 39 | 45 | 48           | 606    | 220              | 110   | 6                          | m6x25  | 17         |
| 28         | 55  | 26 | 31 | 39 | 45 | 48           | 679    | 196              | 100   | 6                          | m6x25  | 17         |
| 30         | 55  | 26 | 31 | 39 | 45 | 48           | 727    | 183              | 100   | 6                          | m6x25  | 17         |
| 32         | 60  | 26 | 31 | 39 | 45 | 65           | 1033   | 229              | 122   | 8                          | m6x25  | 17         |
| 35         | 60  | 26 | 31 | 39 | 45 | 65           | 1130   | 209              | 122   | 8                          | m6x25  | 17         |
| 38         | 65  | 26 | 31 | 39 | 45 | 65           | 1227   | 193              | 113   | 8                          | m6x25  | 17         |
| 40         | 65  | 26 | 31 | 39 | 45 | 65           | 1292   | 183              | 113   | 8                          | m6x25  | 17         |
| 42         | 75  | 30 | 36 | 47 | 55 | 87           | 1835   | 204              | 115   | 6                          | m8x30  | 41         |
| 45         | 75  | 30 | 36 | 47 | 55 | 87           | 1966   | 191              | 115   | 6                          | m8x30  | 41         |
| 48         | 80  | 30 | 36 | 47 | 55 | 87           | 2097   | 179              | 107   | 6                          | m8x30  | 41         |
| 50         | 80  | 30 | 36 | 47 | 55 | 87           | 2184   | 172              | 107   | 6                          | m8x30  | 41         |
| 55         | 85  | 30 | 36 | 47 | 55 | 116          | 3202   | 208              | 135   | 8                          | m8x30  | 41         |
| 60         | 90  | 30 | 36 | 47 | 55 | 116          | 3493   | 191              | 127   | 8                          | m8x30  | 41         |
| 65         | 95  | 30 | 36 | 47 | 55 | 116          | 3784   | 176              | 120   | 8                          | m8x30  | 41         |
| 70         | 110 | 40 | 46 | 57 | 67 | 189          | 6607   | 199              | 127   | 8                          | m10x35 | 83         |
| 75         | 115 | 40 | 46 | 62 | 72 | 189          | 7079   | 186              | 121   | 8                          | m10x35 | 83         |
| 80         | 120 | 40 | 46 | 62 | 72 | 189          | 7551   | 174              | 116   | 8                          | m10x35 | 83         |
| 85         | 125 | 40 | 46 | 62 | 72 | 236          | 10029  | 205              | 139   | 10                         | m10x35 | 83         |
| 90         | 130 | 40 | 46 | 62 | 72 | 236          | 10619  | 193              | 134   | 10                         | m10x35 | 83         |
| 95         | 135 | 40 | 46 | 62 | 72 | 236          | 11209  | 183              | 129   | 10                         | m10x35 | 83         |
| 100        | 145 | 46 | 52 | 77 | 89 | 275          | 13738  | 176              | 121   | 8                          | m12x45 | 145        |
| 110        | 155 | 46 | 52 | 77 | 89 | 275          | 15111  | 160              | 114   | 8                          | m12x45 | 145        |
| 120        | 165 | 46 | 52 | 77 | 89 | 343          | 20606  | 183              | 133   | 10                         | m12x45 | 145        |
| 130        | 180 | 46 | 52 | 77 | 89 | 412          | 26788  | 203              | 147   | 12                         | m12x45 | 145        |
| 140        | 190 | 51 | 59 | 84 | 98 | 373          | 26142  | 154              | 114   | 8                          | m14x45 | 230        |
| 150        | 200 | 51 | 59 | 84 | 98 | 467          | 35016  | 180              | 135   | 10                         | m14x45 | 230        |
| 160        | 210 | 51 | 59 | 84 | 98 | 467          | 37351  | 169              | 129   | 10                         | m14x45 | 230        |
| 170        | 225 | 51 | 59 | 84 | 98 | 560          | 47617  | 191              | 144   | 12                         | m14x45 | 230        |
| 180        | 235 | 51 | 59 | 84 | 98 | 560          | 50418  | 180              | 138   | 12                         | m14x45 | 230        |

**SIZE:HKC-71**

**the size to fix(recommend):**

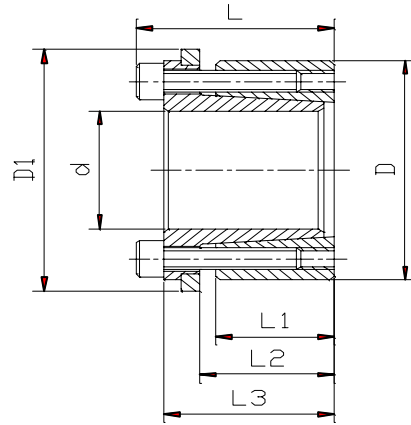
**shaft: h8**

**hub: H8**

**推荐安装尺寸:**

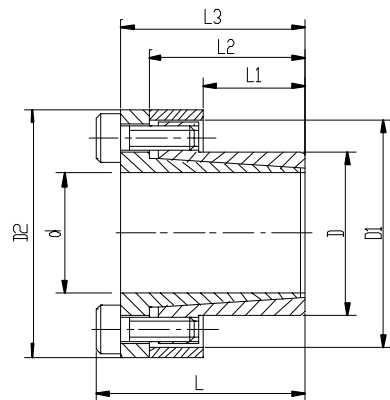
**轴: h8**

**毂: H8**



| dimensions |     |     |    |    |    |    | transmission |        | contact pressure |       | locking screws Din912-12.9 |        |            |
|------------|-----|-----|----|----|----|----|--------------|--------|------------------|-------|----------------------------|--------|------------|
| 尺寸         |     |     |    |    |    |    | 传动           |        | 接触面压力            |       | Din 912-12.9级锁紧螺钉          |        |            |
|            |     |     |    |    |    |    | axial force  | torque | shaft            | hub   | qty                        | size   | tightening |
| d          | D   | D1  | L1 | L2 | L3 | L  | Ft           | Mt     | P                | P1    |                            |        |            |
| mm         | mm  | mm  | mm | mm | mm | mm | KN           | Nm     | N/mm2            | N/mm2 |                            |        | Nm         |
| 19         | 47  | 53  | 26 | 31 | 39 | 45 | 20           | 188    | 118              | 48    | 4                          | m6x20  | 17         |
| 20         | 47  | 53  | 26 | 31 | 39 | 45 | 20           | 198    | 112              | 48    | 4                          | m6x20  | 17         |
| 22         | 47  | 53  | 26 | 31 | 39 | 45 | 20           | 217    | 102              | 48    | 4                          | m6x20  | 17         |
| 24         | 50  | 56  | 26 | 31 | 39 | 45 | 30           | 356    | 140              | 67    | 6                          | m6x20  | 17         |
| 25         | 50  | 56  | 26 | 31 | 39 | 45 | 30           | 371    | 135              | 67    | 6                          | m6x20  | 17         |
| 28         | 55  | 61  | 26 | 31 | 39 | 45 | 30           | 416    | 120              | 61    | 6                          | m6x20  | 17         |
| 30         | 55  | 61  | 26 | 31 | 39 | 45 | 30           | 446    | 112              | 61    | 6                          | m6x20  | 17         |
| 32         | 60  | 66  | 26 | 31 | 39 | 45 | 40           | 634    | 140              | 75    | 8                          | m6x20  | 17         |
| 35         | 60  | 66  | 26 | 31 | 39 | 45 | 40           | 694    | 128              | 75    | 8                          | m6x20  | 17         |
| 38         | 65  | 71  | 26 | 31 | 39 | 45 | 40           | 753    | 118              | 69    | 8                          | m6x20  | 17         |
| 40         | 65  | 71  | 26 | 31 | 39 | 45 | 40           | 793    | 112              | 69    | 8                          | m6x20  | 17         |
| 42         | 75  | 81  | 30 | 36 | 47 | 55 | 54           | 1125   | 125              | 70    | 6                          | m8x30  | 41         |
| 45         | 75  | 81  | 30 | 36 | 47 | 55 | 54           | 1205   | 117              | 70    | 6                          | m8x30  | 41         |
| 48         | 80  | 86  | 30 | 36 | 47 | 55 | 54           | 1286   | 110              | 66    | 6                          | m8x30  | 41         |
| 50         | 80  | 86  | 30 | 36 | 47 | 55 | 54           | 1339   | 105              | 66    | 6                          | m8x30  | 41         |
| 55         | 85  | 91  | 30 | 36 | 47 | 55 | 71           | 1963   | 128              | 83    | 8                          | m8x30  | 41         |
| 60         | 90  | 96  | 30 | 36 | 47 | 55 | 71           | 2142   | 117              | 78    | 8                          | m8x30  | 41         |
| 65         | 95  | 101 | 30 | 36 | 47 | 55 | 71           | 2320   | 108              | 74    | 8                          | m8x30  | 41         |
| 70         | 110 | 116 | 40 | 46 | 57 | 67 | 116          | 4048   | 122              | 78    | 8                          | m10x35 | 83         |
| 75         | 115 | 121 | 40 | 46 | 62 | 72 | 116          | 4338   | 114              | 74    | 8                          | m10x35 | 83         |
| 80         | 120 | 126 | 40 | 46 | 62 | 72 | 116          | 4627   | 107              | 71    | 8                          | m10x35 | 83         |
| 85         | 125 | 131 | 40 | 46 | 62 | 72 | 145          | 6146   | 125              | 85    | 10                         | m10x35 | 83         |
| 90         | 130 | 136 | 40 | 46 | 62 | 72 | 145          | 6508   | 118              | 82    | 10                         | m10x35 | 83         |
| 95         | 135 | 141 | 40 | 46 | 62 | 72 | 145          | 6869   | 112              | 79    | 10                         | m10x35 | 83         |
| 100        | 145 | 151 | 46 | 52 | 77 | 89 | 168          | 8419   | 108              | 74    | 8                          | m12x45 | 145        |
| 110        | 155 | 161 | 46 | 52 | 77 | 89 | 168          | 9260   | 98               | 70    | 8                          | m12x45 | 145        |
| 120        | 165 | 171 | 46 | 52 | 77 | 89 | 210          | 12630  | 112              | 82    | 10                         | m12x45 | 145        |
| 130        | 180 | 186 | 46 | 52 | 77 | 89 | 253          | 16420  | 125              | 90    | 12                         | m12x45 | 145        |
| 140        | 190 | 196 | 51 | 59 | 84 | 98 | 229          | 16020  | 95               | 70    | 8                          | m14x45 | 230        |
| 150        | 200 | 206 | 51 | 59 | 84 | 98 | 286          | 21457  | 110              | 83    | 10                         | m14x45 | 230        |
| 160        | 210 | 216 | 51 | 59 | 84 | 98 | 286          | 22887  | 103              | 79    | 10                         | m14x45 | 230        |
| 170        | 225 | 231 | 51 | 59 | 84 | 98 | 343          | 29183  | 117              | 88    | 12                         | m14x45 | 230        |
| 180        | 235 | 241 | 51 | 59 | 84 | 98 | 343          | 30900  | 110              | 84    | 12                         | m14x45 | 230        |

**SIZE:HKC-80**  
**the size to fix**  
**(recommend):**  
**shaft: h8**  
**hub: H8**  
**推荐安装尺寸:**  
**轴: h8**  
**毂: H8**



| dimensions |     |    |     |     |     |     |     | transmission | contact pressure | locking screws Din912-12.9 |       |     |        |            |
|------------|-----|----|-----|-----|-----|-----|-----|--------------|------------------|----------------------------|-------|-----|--------|------------|
| 尺寸         |     |    |     |     |     |     |     | 传动           | 接触面压力            | Din 912-12.9级锁紧螺钉          |       |     |        |            |
|            |     |    |     |     |     |     |     | axial force  | torque           | shaft                      | hub   | qty | size   | tightening |
| Φd         | ΦD  | L1 | L2  | L3  | L   | D2  | D1  | 传递的轴向力       | 传递扭矩             | 轴                          | 毂     | 数量  | 规格     | 锁紧扭矩       |
| mm         | mm  | mm | mm  | mm  | mm  | mm  | mm  | Ft           | Mt               | P                          | P1    | 数量  | 规格     | Ts         |
|            |     |    |     |     |     |     |     | KN           | Nm               | N/mm2                      | N/mm2 |     |        | Nm         |
| 8          | 15  | 12 | 21  | 24  | 28  | 32  | 28  | 10           | 30               | 190                        | 105   | 4   | m4x10  | 5.2        |
| 9          | 16  | 14 | 23  | 27  | 31  | 32  | 28  | 10           | 32               | 150                        | 92    | 4   | m4x12  | 5.2        |
| 10         | 16  | 14 | 23  | 27  | 31  | 32  | 28  | 10           | 40               | 140                        | 90    | 4   | m4x12  | 5.2        |
| 11         | 18  | 14 | 23  | 27  | 31  | 34  | 30  | 10           | 50               | 174.8                      | 106.8 | 4   | m4x12  | 5.2        |
| 12         | 18  | 14 | 23  | 27  | 31  | 34  | 30  | 10           | 55               | 160.8                      | 106.8 | 4   | m4x12  | 5.2        |
| 14         | 23  | 14 | 23  | 27  | 31  | 39  | 35  | 10           | 64               | 137.4                      | 83.6  | 4   | m4x12  | 5.2        |
| 15         | 24  | 16 | 29  | 36  | 42  | 45  | 40  | 16           | 99               | 161.8                      | 101.2 | 3   | m6x18  | 17         |
| 16         | 24  | 16 | 29  | 36  | 42  | 45  | 40  | 16           | 105              | 151.7                      | 101.2 | 3   | m6x18  | 17         |
| 18         | 26  | 18 | 31  | 38  | 44  | 47  | 42  | 21           | 158              | 159.8                      | 110.7 | 4   | m6x18  | 17         |
| 19         | 27  | 18 | 31  | 38  | 44  | 48  | 43  | 21           | 167              | 151.4                      | 106.6 | 4   | m6x18  | 17         |
| 20         | 28  | 18 | 31  | 38  | 44  | 49  | 44  | 21           | 176              | 143.9                      | 102.8 | 4   | m6x18  | 17         |
| 22         | 32  | 25 | 38  | 45  | 51  | 54  | 48  | 21           | 232              | 112.8                      | 77.6  | 4   | m6x18  | 17         |
| 24         | 34  | 25 | 38  | 45  | 51  | 56  | 50  | 21           | 253              | 103.4                      | 73    | 4   | m6x18  | 17         |
| 25         | 34  | 25 | 38  | 45  | 51  | 56  | 50  | 21           | 263              | 99.3                       | 73    | 4   | m6x18  | 17         |
| 28         | 39  | 25 | 38  | 45  | 51  | 61  | 55  | 27           | 368              | 110.8                      | 79.6  | 5   | m6x18  | 17         |
| 30         | 41  | 25 | 38  | 45  | 51  | 63  | 57  | 32           | 474              | 124.1                      | 90.8  | 6   | m6x18  | 17         |
| 32         | 43  | 30 | 43  | 50  | 56  | 65  | 59  | 32           | 505              | 97                         | 72.2  | 6   | m6x18  | 17         |
| 35         | 47  | 30 | 43  | 50  | 56  | 69  | 63  | 43           | 737              | 118.9                      | 88    | 8   | m6x18  | 17         |
| 38         | 50  | 30 | 43  | 50  | 56  | 72  | 66  | 43           | 800              | 108.9                      | 82.8  | 8   | m6x18  | 17         |
| 40         | 53  | 32 | 45  | 52  | 58  | 75  | 69  | 48           | 947              | 109.1                      | 82.3  | 9   | m6x18  | 17         |
| 42         | 55  | 32 | 45  | 52  | 58  | 77  | 71  | 48           | 994              | 103.9                      | 79.3  | 9   | m6x18  | 17         |
| 45         | 59  | 40 | 56  | 64  | 72  | 85  | 79  | 79           | 1750             | 127.4                      | 97.2  | 8   | m8x22  | 42         |
| 48         | 62  | 40 | 56  | 64  | 72  | 88  | 82  | 79           | 1867             | 119.5                      | 92.5  | 8   | m8x22  | 42         |
| 50         | 65  | 50 | 66  | 74  | 82  | 92  | 85  | 99           | 2431             | 114.7                      | 98.2  | 10  | m8x22  | 42         |
| 55         | 71  | 50 | 66  | 74  | 82  | 98  | 91  | 99           | 2674             | 104.3                      | 80.8  | 10  | m8x22  | 42         |
| 60         | 77  | 50 | 66  | 74  | 82  | 104 | 97  | 99           | 2917             | 95.6                       | 74.5  | 10  | m8x22  | 42         |
| 65         | 84  | 50 | 66  | 74  | 82  | 111 | 104 | 99           | 3160             | 88.2                       | 68.8  | 10  | m8x22  | 42         |
| 70         | 90  | 60 | 80  | 91  | 101 | 122 | 115 | 127          | 4322             | 86.7                       | 67.4  | 8   | m10x25 | 84         |
| 75         | 95  | 60 | 80  | 91  | 101 | 126 | 119 | 142          | 6171             | 93                         | 74    | 9   | m10x25 | 84         |
| 80         | 100 | 65 | 85  | 96  | 106 | 131 | 124 | 190          | 7899             | 97                         | 77    | 12  | m10x25 | 84         |
| 85         | 106 | 65 | 85  | 96  | 106 | 137 | 130 | 190          | 8393             | 91                         | 73    | 12  | m10x25 | 84         |
| 90         | 112 | 65 | 85  | 96  | 106 | 143 | 136 | 222          | 10367            | 100                        | 51    | 14  | m10x25 | 84         |
| 95         | 120 | 65 | 85  | 96  | 106 | 153 | 144 | 222          | 10943            | 95                         | 75    | 14  | m10x25 | 84         |
| 100        | 125 | 65 | 89  | 102 | 114 | 162 | 153 | 273          | 14520            | 114                        | 91    | 12  | m12x30 | 145        |
| 110        | 140 | 70 | 94  | 107 | 119 | 177 | 168 | 273          | 15972            | 96                         | 75    | 12  | m12x30 | 145        |
| 120        | 155 | 90 | 114 | 127 | 139 | 195 | 185 | 364          | 23232            | 91                         | 71    | 16  | m12x30 | 145        |
| 130        | 165 | 90 | 114 | 127 | 139 | 205 | 195 | 364          | 25168            | 84                         | 66    | 16  | m12x30 | 145        |
| 140        | 175 | 90 | 114 | 127 | 139 | 215 | 205 | 364          | 27104            | 78                         | 63    | 16  | m12x30 | 145        |
| 150        | 185 | 90 | 114 | 127 | 139 | 225 | 215 | 364          | 29041            | 73                         | 59    | 16  | m12x30 | 145        |



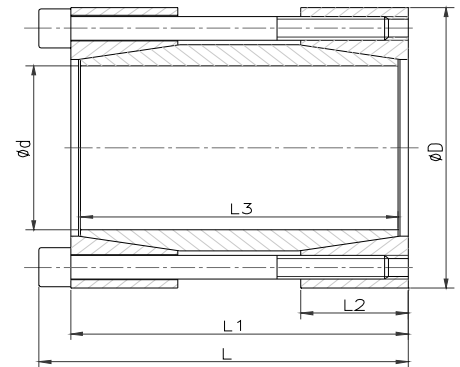
**SIZE:HKC-95**

**the size to fix(recommend):**

**shaft: h8**

**推荐安装尺寸:**

**轴: h8**



| dimensions |     |     |     |      |    | transmission |             | contact pressure | locking screws Din912-12.9 |        |            |
|------------|-----|-----|-----|------|----|--------------|-------------|------------------|----------------------------|--------|------------|
| 尺寸         |     |     |     |      |    | 传动           |             | 接触面压力            | Din 912-12.9级锁紧螺钉          |        |            |
|            |     |     |     |      |    | torque       | axial force | shaft            | qty                        | size   | tightening |
|            |     |     |     |      |    | 传递扭矩         | 传递的轴向力      | 轴                |                            |        | 锁紧扭矩       |
| d          | D   | L   | L1  | L2   | L3 | Mt           | Ft          | 规格               | 数量                         | 规格     | Ts         |
| mm         | mm  | mm  | mm  | mm   | mm | Nm           | KN          | N/mm2            |                            |        | Nm         |
| 15         | 45  | 56  | 50  | 16   | 44 | 158          | 20          | 188              | 4                          | m6x45  | 17         |
| 16         | 50  | 56  | 50  | 16   | 44 | 160          | 20          | 176              | 4                          | m6x45  | 17         |
| 17         | 50  | 56  | 50  | 16   | 44 | 166          | 20          | 166              | 4                          | m6x45  | 17         |
| 18         | 50  | 56  | 50  | 16   | 44 | 176          | 20          | 157              | 4                          | m6x45  | 17         |
| 19         | 50  | 56  | 50  | 16   | 44 | 186          | 20          | 149              | 4                          | m6x45  | 17         |
| 20         | 50  | 56  | 50  | 16   | 44 | 195          | 20          | 141              | 4                          | m6x45  | 17         |
| 24         | 55  | 66  | 60  | 18.5 | 54 | 351          | 29          | 144              | 6                          | m6x55  | 17         |
| 25         | 55  | 66  | 60  | 18.5 | 54 | 366          | 29          | 138              | 6                          | m6x55  | 17         |
| 28         | 60  | 66  | 60  | 18.5 | 54 | 410          | 29          | 123              | 6                          | m6x55  | 17         |
| 30         | 60  | 66  | 60  | 18.5 | 54 | 439          | 29          | 115              | 6                          | m6x55  | 17         |
| 32         | 63  | 66  | 60  | 18.5 | 54 | 468          | 29          | 108              | 6                          | m6x55  | 17         |
| 35         | 75  | 83  | 75  | 22   | 67 | 633          | 36          | 98               | 4                          | m8x70  | 42         |
| 38         | 75  | 83  | 75  | 22   | 67 | 687          | 36          | 90               | 4                          | m8x70  | 42         |
| 40         | 75  | 83  | 75  | 22   | 67 | 724          | 36          | 86               | 4                          | m8x70  | 42         |
| 42         | 78  | 83  | 75  | 22   | 67 | 760          | 36          | 82               | 4                          | m8x70  | 42         |
| 45         | 85  | 93  | 85  | 24.5 | 76 | 1220         | 54          | 101              | 6                          | m8x80  | 42         |
| 48         | 90  | 93  | 85  | 24.5 | 76 | 1301         | 54          | 95               | 6                          | m8x80  | 42         |
| 50         | 90  | 93  | 85  | 24.5 | 76 | 1355         | 54          | 91               | 6                          | m8x80  | 42         |
| 55         | 94  | 93  | 85  | 24.5 | 76 | 1987         | 72          | 110              | 8                          | m8x80  | 42         |
| 60         | 100 | 93  | 85  | 24.5 | 76 | 2168         | 72          | 101              | 8                          | m8x80  | 42         |
| 65         | 105 | 93  | 85  | 24.5 | 76 | 2348         | 72          | 93               | 8                          | m8x80  | 42         |
| 70         | 115 | 110 | 100 | 29   | 90 | 4041         | 115         | 116              | 8                          | m10x95 | 84         |